



# Riva2 400

Inset Convectur Fire - Conventional Flue  
with Thermostatic Remote Control



## Instructions for Use, Installation and Servicing

For use in GB, IE (Great Britain and Republic of Ireland)

### IMPORTANT

THE OUTER CASING, FRONT AND GLASS PANEL BECOME EXTREMELY HOT DURING OPERATION AND WILL RESULT IN SERIOUS INJURY AND BURNS IF TOUCHED. IT IS THEREFORE RECOMMENDED THAT A FIREGUARD COMPLYING WITH BS 8423 (LATEST EDITION) IS USED IN THE PRESENCE OF YOUNG CHILDREN, THE ELDERLY OR INFIRM.

This product contains a Heat resistant glass panel. This panel should be checked during Installation and at each servicing interval. If any damage is observed on the front face of the glass panel (scratches, scores, cracks or other surface defects), the glass panel must be replaced and the appliance must not be used until a replacement is installed. Under no circumstances should the appliance be used if any damage is observed, the glass panel is removed or broken.

It is essential that ALL of the screws that retain the glass frame are replaced and tightened correctly. Under no circumstances should the appliance be operated if any of these screws are loose or missing.

These Instructions must be left with the appliance for future reference and for consultation when servicing the appliance. Please make the customer aware of the correct operation of the appliance before leaving these instructions with them.

The commissioning sheet found on Page 3 of this Instruction manual must be completed by the Installer prior to leaving the premises.

PR2446.8.04.2026

# CONTENTS

## RIVA2 400 - CONVENTIONAL FLUE

Covering the following models:

MODEL	RIVA2 400
Nat Gas	134-023
LPG	134-407

**Appliance Commissioning Checklist .....3**

**User Instructions .....4**

**Installation Instructions .....12**

Technical Specifications ..... 12

Site Requirements ..... 14

Installation ..... 19

Commissioning ..... 32

**Servicing Requirements .....33**

Fault Finding..... 34

How to replace parts ..... 36

Spare parts list ..... 42

Information Requirement - Gas Heaters ..... 44

Service Records ..... 46



It is a requirement of the Building Regulations 2010 that the installation of this appliance is notified to the Local Authority. It is the responsibility of the GasSafe registered installer to carry out this notification to the Local Authority via the GasSafe register Competent Persons Scheme in England and Wales (different rules apply in Scotland and Northern Ireland).

When the installation has been notified, GasSafe will send a Building Regulations Compliance Certificate to you containing details of the work completed. Please ensure that the person responsible for the installation of this appliance completes this notification and records it in the Appliance Commissioning Checklist on Page 3.

**IT IS YOUR RESPONSIBILITY TO COMPLY WITH THE BUILDING REGULATIONS AND BE ABLE TO PRODUCE THIS CERTIFICATE SHOULD IT BE REQUIRED IN THE FUTURE.**

## IMPORTANT NOTICE

Explain the operation of the appliance to the end user, hand the completed instructions to them for safe keeping, as the information will be required when making any guaranteed claims.

FLUE CHECK	PASS	FAIL
1. Flue Is correct for appliance		
2. Flue flow Test		
3. Spillage Test		
GAS CHECK		
1. Gas soundness & let by test		
2. Standing gas pressure	mb	
3. Appliance working pressure (on High Setting) Minimum Pressure Requirement: NG - 17.5mbar LPG - 34.5mbar NB All other gas appliances must be operating on full	mb	
4. Gas rate	m <sup>3</sup> /h	
5. Does Ventilation meet appliance requirements		
SAFETY CHECK		
1. Check soundness of the Thermocouple connections - including tightness and lead integrity		
2. Glass checked to ensure no damage, scratches, scores or cracks		
3. Glass frame secured correctly and all screws replaced		
4. CO alarm fitted		
BUILDING CONTROL NOTIFICATION	YES	NO
1. Installer notified GasSafe/Local Authority of installation via Competent Persons Scheme?		

## RETAILER AND INSTALLER INFORMATION

**Retailer** .....

.....

.....

**Contact No**.....

**Date of Purchase** .....

**Model No.** .....

**Serial No.**.....

**Gas Type** .....

**Installation Company**.....

.....

.....

**Engineer**.....

**Contact No**.....

**GasSafe Reg No.** .....

**Date of Installation** .....

## GENERAL

Installation and servicing must only be carried out by a competent person whose name appears on the GasSafe register. To ensure the engineer is registered with GasSafe they should possess an ID Card carrying the following logo:



In all correspondence, please quote the appliance type and serial number, which can be found on the data badge located on a plate attached to the lower slotted trim.

Do not place curtains above the appliance:  
You must have 300mm clearance between the appliance and any curtains at either side.

No furnishings or other objects should be placed within 1 metre of the front of the appliance.

If a shelf is fitted, a distance of 150mm above the appliance is required.

If any cracks appear in the glass panel do not use the appliance until the panel has been replaced.

This product is guaranteed for 5 years from the date of installation, as set out in the terms and conditions of sale between Gazco and your local Gazco retailer. Please consult with your local Gazco retailer if you have any questions. In all correspondence always quote the Model Number and Serial Number.

## CO ALARMS

Building regulations require that whenever a new or replacement fixed gas burning appliance is installed in a dwelling, a carbon monoxide alarm complying with BS EN 50291-1 (latest edition) must be fitted in the same room as the appliance. Further guidance and recommendations on the installation of carbon monoxide alarms is available in BS EN 50292 (latest edition) and from manufacturers' instructions.

**Provision of an alarm must not be considered a substitute for either installing the appliance correctly or ensuring regular servicing and maintenance of the appliance.**

## WARNING



**In the event of a gas escape or if you can smell gas, please take the following steps:**

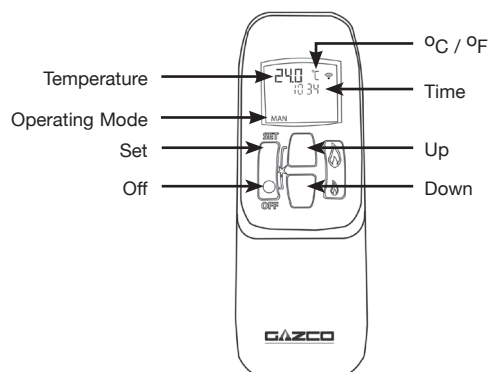
- Immediately turn off the gas supply at the meter/emergency control valve
- Extinguish all sources of ignition
- Do not smoke
- Do not operate any electrical light or power switches (On or Off)
- Ventilate the building(s) by opening doors and windows
- Ensure access to the premises can be made

**Please report the incident immediately to the National Gas Emergency Service Call Centre on 0800 111 999 (England, Scotland and Wales) , 0800 002 001 (N. Ireland) or in the case of LPG, the gas supplier whose details can be found on the bulk storage vessel or cylinder.**

**The gas supply must not be used until remedial action has been taken to correct the defect and the installation has been recommissioned by a competent person.**

## OPERATING THE APPLIANCE

The appliance is operated by thermostatic remote control.



### Turning the appliance On:

Your remote can control the gas appliance from pilot ignition through to shut down.

To turn the appliance on, press the OFF and UP buttons simultaneously. Several short beeps sound.

**The pilot and main burner ignite and the remote is now in Manual Mode.**

**IMPORTANT: YELLOW FLAMES TYPICALLY APPEAR WHEN THE APPLIANCE HAS REACHED NORMAL OPERATING TEMPERATURE. THIS CAN TAKE UP TO 30 MINUTES.**

**WARNING: IF THE APPLIANCE FAILS TO LIGHT OR BECOMES EXTINGUISHED IN USE, WAIT 3 MINUTES BEFORE ATTEMPTING TO RELIGHT.**

There are 3 different modes available for controlling and operating the appliance:

1. Manual Mode
2. Temp Mode (Automatic)
3. Timer Mode (Automatic)

In **MANUAL MODE** you can:

- Turn on the main burner using the UP button
- Regulate the flame from high to low and back
- Turn off the burner leaving just the pilot burning

In **TEMP MODE (Automatic)** you can:

- Set the room temperature so the thermostat in the remote automatically maintains that temperature

In **TIMER MODE (Automatic)** the appliance:

- Turns on and off according to the set time periods
- Automatically regulates the room temperature during the set periods

**NOTE: When operating the appliance in TEMP or TIMER mode, the pilot remains lit and the appliance then automatically switches on at programmed times to bring the room to the set temperature, whether or not you are in the room. NEVER LEAVE ANY COMBUSTIBLE MATERIALS WITHIN 1 METRE OF THE FRONT OF THE APPLIANCE.**

## SWITCHING BETWEEN MODES

Press the SET button to change to Temperature (TEMP) Mode.

Press again to change to Timer Mode.

Keep pressing to run through all operating modes. These are:

- MAN
  - ● ON TEMP
  - ☾ OFF TEMP
  - TIMER
- and back to MAN

**NOTE: MAN mode can also be reached by pressing either the UP or DOWN button.**

## MANUAL MODE

Press the OFF button and the UP button simultaneously. Several clicks and audible beeps sound as the appliance begins the ignition process (up to 30 seconds).

### Turning the appliance Off:

Press the OFF button to turn the appliance off.

**FOR SAFETY, YOU MUST WAIT 30 SECONDS BEFORE LIGHTING THE APPLIANCE AGAIN.**

### Increasing the Flame Height:

Press the UP button once to increase flame height one stage. Press and hold the UP button to increase to maximum.

### Decreasing the Flame Height:

Press the DOWN button once to decrease flame height one stage. Press and hold the DOWN button to decrease to minimum. At the lowest point the appliance goes to 'Standby Mode' (only Pilot lit).

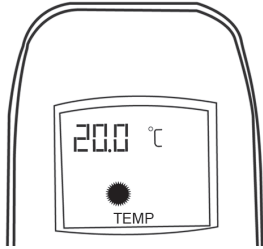
**NOTE: While pressing a button a symbol indicating transmission ( ) appears on the display. The receiver confirms transmission with a sound signal.**

## TEMP MODE (AUTOMATIC)

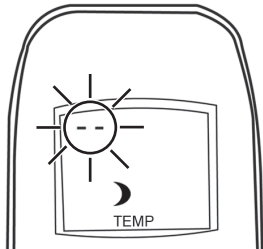
The display shows the current **room** temperature.

To increase or decrease the **appliance's** output:  
Press the SET button to select either the ● ON TEMP or the › OFF TEMP mode by briefly pressing the SET button.

Hold the SET button until the TEMP display flashes and then let go.



Set the desired ● ON temperature with the UP and DOWN arrows (minimum temperature 5°C and maximum 40°C, or 40°F and 99°F when Fahrenheit is the preferred option).



› OFF TEMP needs to be set to “— —”, otherwise the fire will turn on to heat if the room temperature drops.

Press the OFF button to stop the display flashing or wait to return to TEMP mode.

**i** **NOTE: If you set a temperature that is beneath the current room temperature, the appliance automatically switches to PILOT (standby).**

## TIMER MODE (AUTOMATIC)

There are two programmable settings you can make over a 24 hour period: P1 and P2. These are normally used to provide an early morning and evening setting for each working week:

- P1 + ● = Start Timed Setting 1
- P1 + › = End of Timed Setting 1
- P2 + ● = Start Timed Setting 2
- P2 + › = End of Timed Setting 2

### P1 - PROGRAM 1 FOR A TIMED SETTING

Press the SET button until the TIMER mode is displayed.

Hold the SET button. The displays flashes the current time for P1. **While the time displayed is flashing you can alter the hours and minutes set.**

To set the time your appliance first lights, change P1 ● :

- Press the UP button to alter the hour
- Press the DOWN button to alter the minutes in 10 minute increments

Press SET again to move to the end setting for P1 ›. This is the time your appliance first shuts down:

- Press the UP button to alter the hour
- Press the DOWN button to alter the minutes

### P2 - PROGRAM 2 FOR A TIMED SETTING

Use the same steps as for P1, above, to change the setting for P2.

If you have already set P1 and want to alter the setting for P2 only:

- Press the SET button until TIMER mode is displayed
- Hold the SET button **until the display flashes the current time** for P1 ●
- Press the SET button once again to scroll past the settings for P1 ● and P1 ›

With the time still flashing:

- Press the UP button to alter the hour
- Press the DOWN button to alter the minutes

Once all four times are set, press the OFF button or simply wait.

To view existing settings:

- Select Timer Mode
- Press and briefly hold the SET button until you see the start time for P1
- Repeat the above step for the start and end of each program

**i** **NOTE: If the room temperature exceeds the temperature set on the handset, the fire will not automatically turn on at the set time.**

### LOW BATTERY

BATT is displayed on the remote when its batteries need replacement.

## SETTING THE TIME

Simultaneously press the UP and DOWN buttons.

Press the UP button to set the hour and the DOWN button to set the minutes.

Press OFF to return to the manual mode or simply wait.

## SETTING THE °C/24 HOUR OR °F/12 HOUR CLOCK

Press OFF and the DOWN arrow until the display changes from °C/24 hour clock to °F/12 hour clock and vice versa (Celcius shows the time in the 24 hour format and Fahrenheit shows the 12 hour).

**i** If the remote is removed, lost or damaged, signals transmitted to the receiver cease. Your appliance will go to standby (pilot) mode after 6 hours.

## SUPPORT VIDEOS

For help with pairing and using your GV60 control system, please scan the QR code or visit [www.stovax.tv/video/control-system-gazco-fire-stove](http://www.stovax.tv/video/control-system-gazco-fire-stove)



## TROUBLESHOOTING

**! IMPORTANT:** In the unlikely event that the handset fails to communicate correctly with the appliance it may be necessary to turn off the gas supply at the isolation valve until any problems can be resolved.

The gas meter and isolation valve can be located outside in a meter box, under the stairs, beneath the kitchen sink or in the garage. Whilst this list is not exhaustive, it is important to be able to identify the location of the valve in case of any gas emergency.

To turn off the gas supply, simply turn the handle so the lever is at 90 degrees to the upright gas pipe.

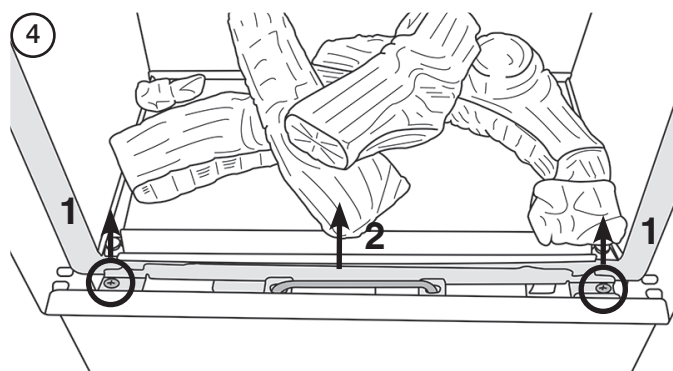
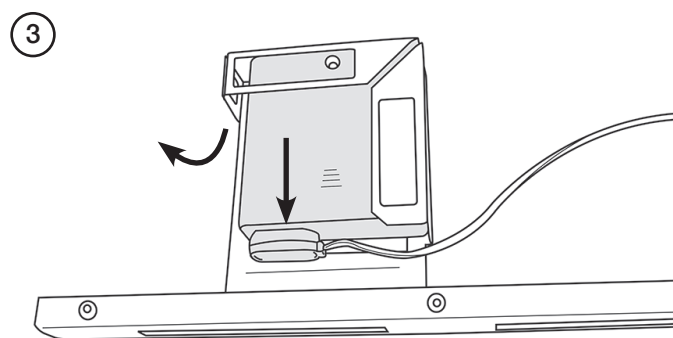
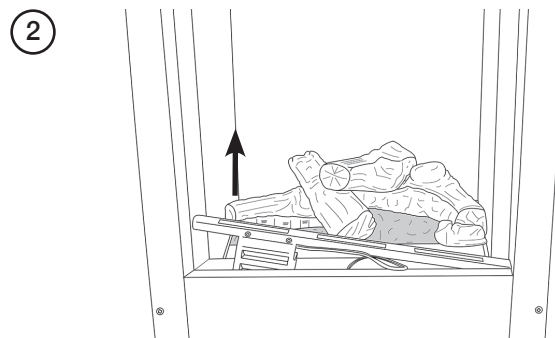
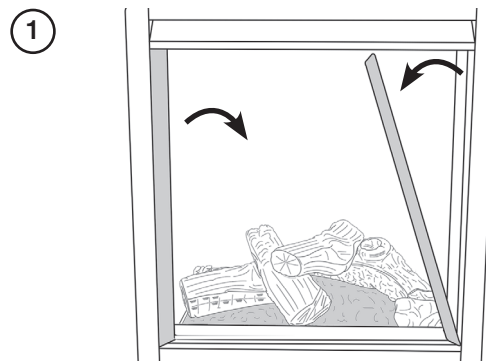
If you smell gas, open doors and windows and never operate any electrical switches. Immediately call the Gas Emergency Services on 0800 111 999.

## CLEANING THE APPLIANCE

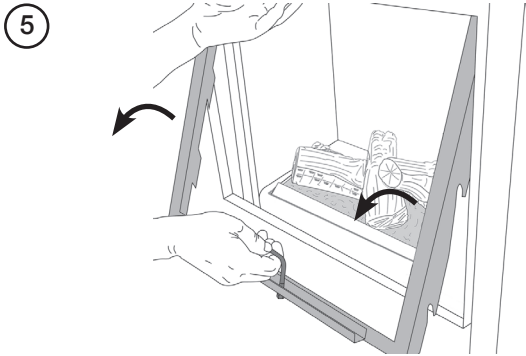
**Make sure the fire and surrounds are cool before cleaning.**

Use:

- A dry cloth to clean the appliance casting.
- A damp cloth for the glass front.



CLEANING THE APPLIANCE

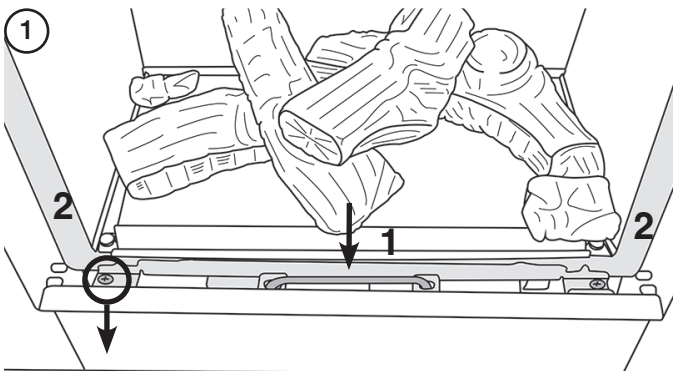


Remove the logs, and place them on a dry, clean surface.

The logs should not require cleaning. Do not use a vacuum cleaner or brush to clean the logs, any large pieces of debris may be removed by hand.

Ensure any debris is removed from the burner ports.

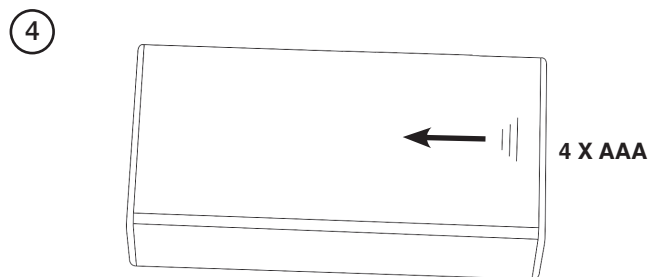
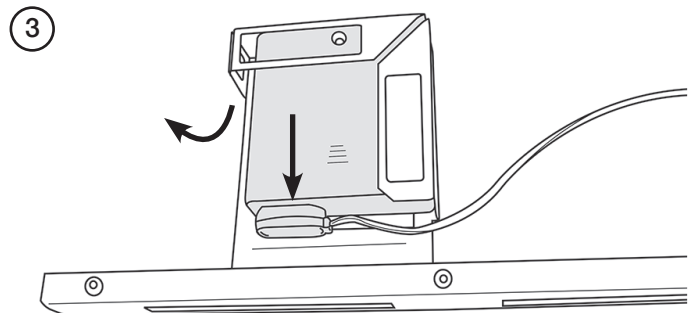
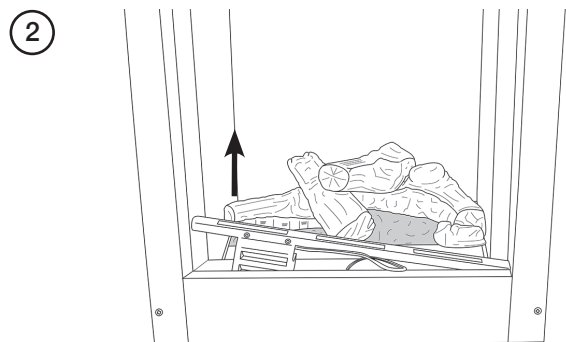
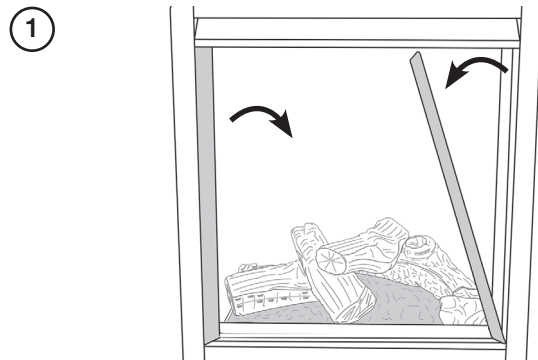
REPLACING



REPLACE ALL OF THE SECURING SCREWS, ENSURING THAT A SCREW IS PRESENT IN ALL FIXING SLOTS.

UNDER NO CIRCUMSTANCES SHOULD THE APPLIANCE BE USED IF ANY OF THE GLASS FRAME RETAINING SCREWS RE LOOSE OR MISSING.

CHANGING THE APPLIANCE BATTERIES



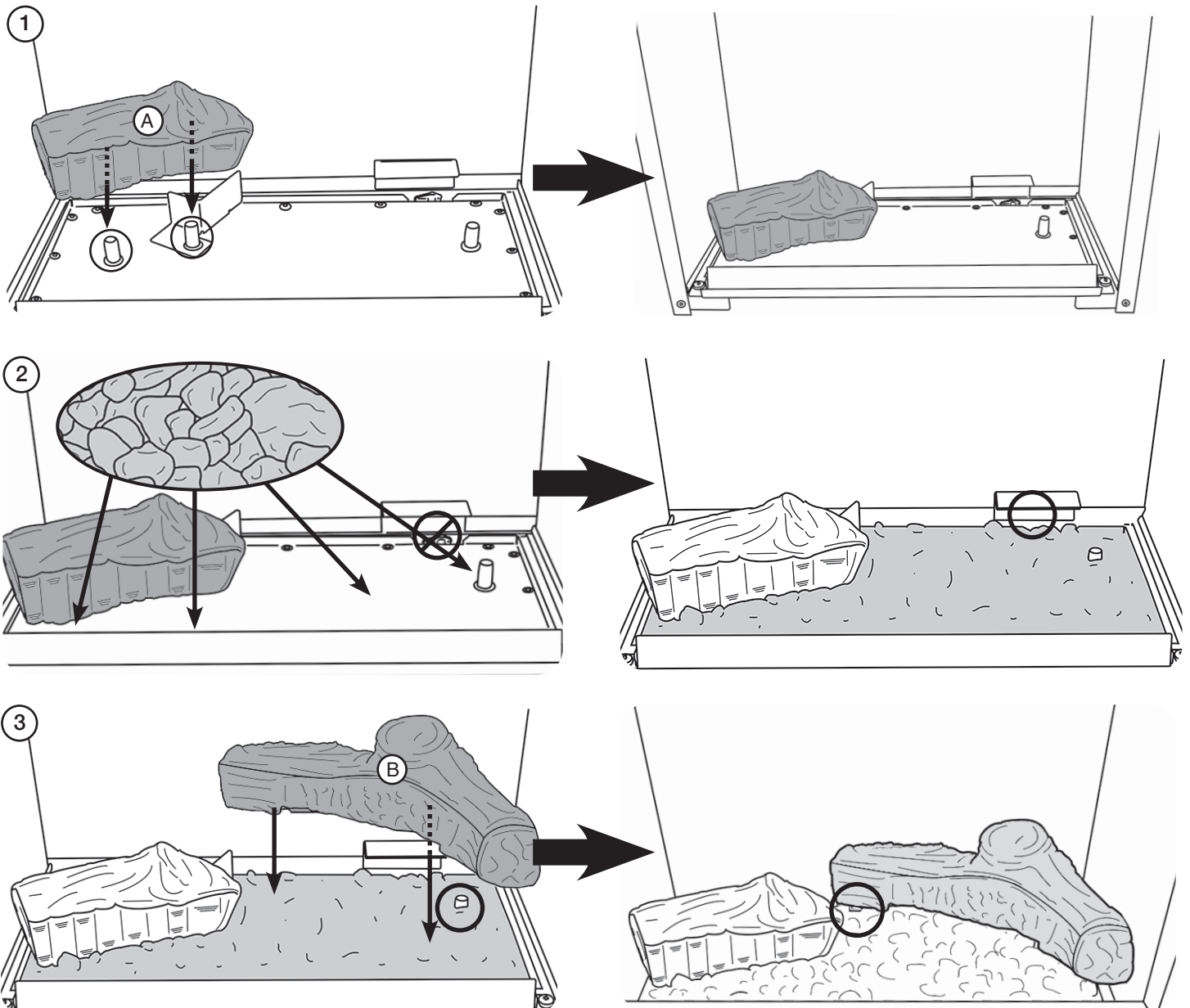
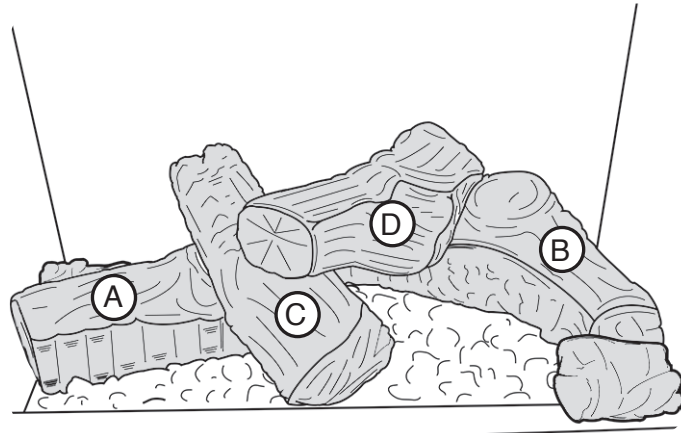
It is essential to use high quality batteries (Duracell or equivalent) when replacing batteries in the handset or control box.



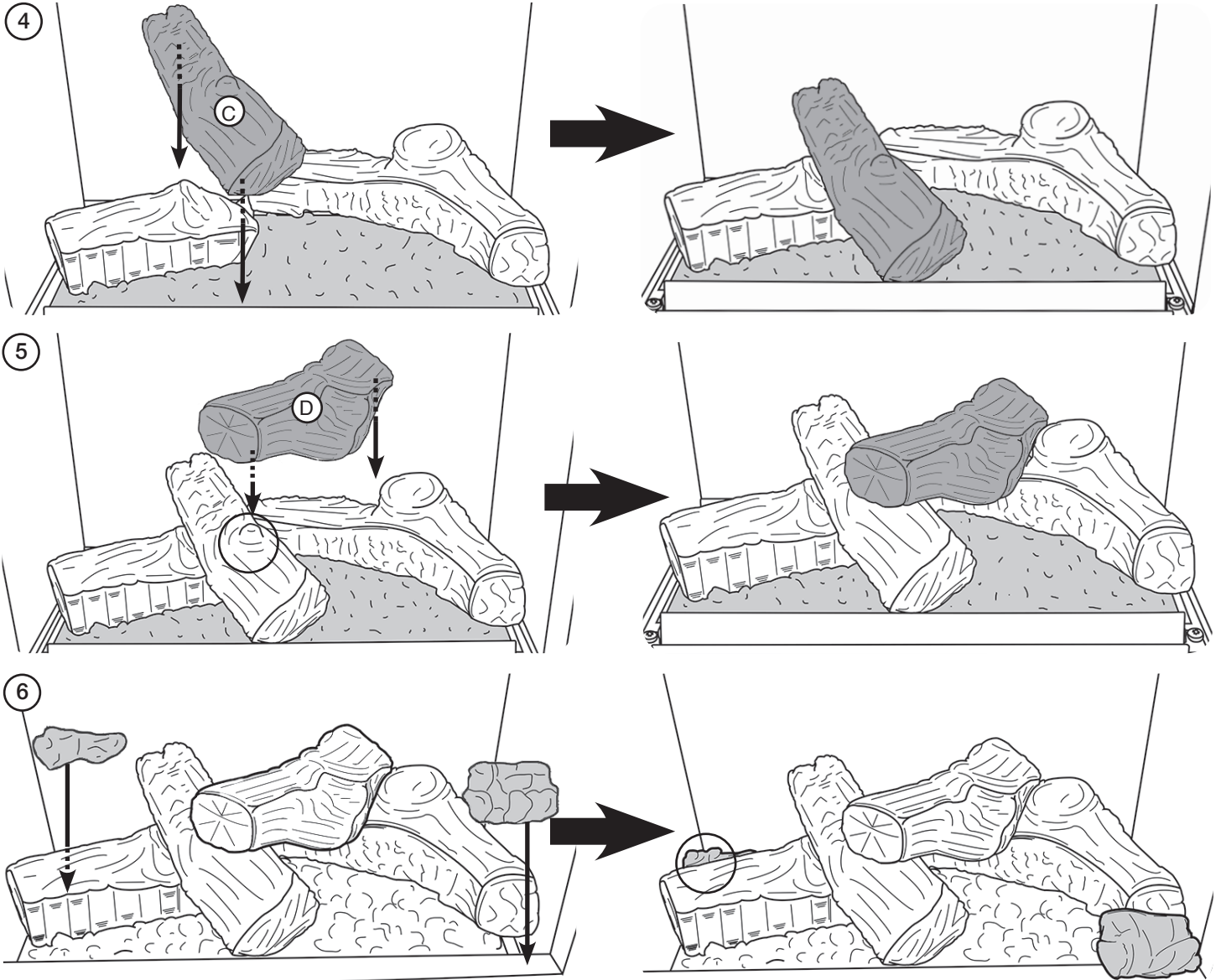
PLEASE ENSURE NO WIRES ARE TRAPPED BEFORE REPLACING THE LOWER SLOTTED TRIM. THE LEADS ARE EASILY DAMAGED.

## LOG LAYOUT

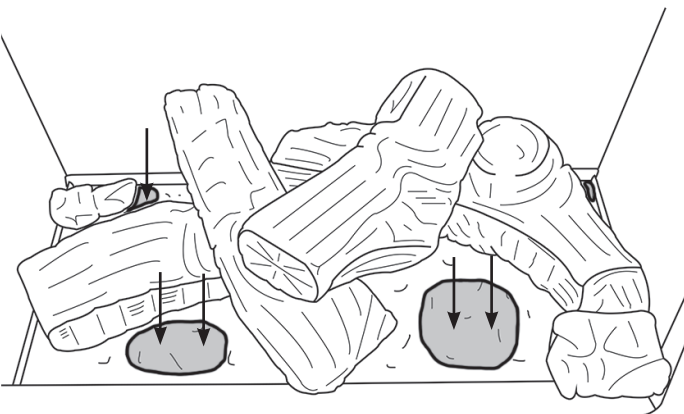
LOGS MUST BE POSITIONED ACCORDING TO THE FOLLOWING INSTRUCTIONS TO GIVE THE CORRECT FLAME EFFECT.



LOG LAYOUT

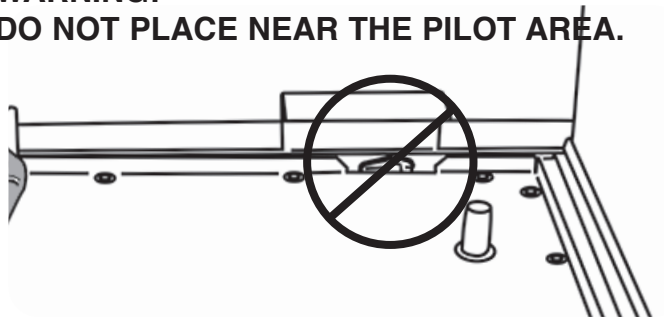


Embaglow



IT MAY NOT BE NECESSARY TO USE ALL THE EMBAGLOW IN THIS PACK.  
 Sparingly spread an amount of the fibres provided on the sections highlighted in the instructions.  
 Take care not to use more than specified in the instructions.

**WARNING:**  
 DO NOT PLACE NEAR THE PILOT AREA.



Do not place Embaglow in the area around the pilot burner - see highlighted example on diagram as this may effect the ignition process and flame picture.

## OXYGEN DEPLETION SENSOR

The appliance is fitted with an oxygen sensitive pilot system that will act to cut off the gas supply to the appliance should the oxygen in the room fall below its normal level. If the appliance is turned off by this device it usually indicates that there is a problem with the flue system, this should be inspected by a qualified engineer.

**DO NOT ATTEMPT TO USE THE APPLIANCE UNTIL AN ENGINEER SAYS IT IS SAFE TO DO SO. THIS DEVICE IS NOT A SUBSTITUTE FOR AN INDEPENDENTLY MOUNTED CARBON MONOXIDE DETECTOR.**

## FLAME FAILURE DEVICE

This is a safety feature incorporated on this appliance which automatically switches off the gas supply if the pilot goes out and fails to heat the thermocouple.

**IF THIS OCCURS DO NOT ATTEMPT TO RELIGHT THE APPLIANCE FOR 3 MINUTES.**

## RUNNING IN

During initial use of a new Gazco appliance a strong odour will be encountered as various surface coatings become hot for the first time. Although these odours are harmless it is recommended that the appliance is operated on maximum for 4 to 8 hours in order to fully burn off these coatings. After this period the odours should then disappear.

If the odours persists, please contact your installer for advice.

During the first few hours of burning there may be discolouration of the flames. This will also disappear after a short period of use.

## SERVICING



To keep your appliance looking and performing at its best, it must be serviced annually. This service must be undertaken by a suitably qualified individual and your retailer can organise this for you. Alternatively, Gazco offer a manufacturers premium service with our friendly team of qualified engineers which can be booked at [www.gazco.com/support](http://www.gazco.com/support).

In all correspondence always quote the Model number and the Serial number which may be found on the Commissioning Checklist (Page 3).

## VENTILATION

Any purpose provided ventilation should be checked periodically to ensure that it is free from obstruction.

## INSTALLATION DETAILS

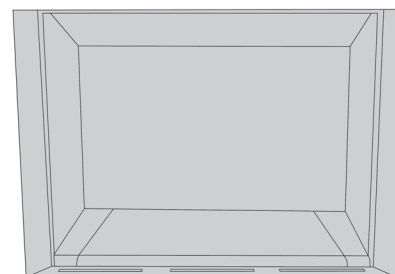
Your installer should have completed the commissioning sheet at the front of this book. This records the essential installation details of the appliance. In all correspondence always quote the Model number and Serial number.

## HOT SURFACES

Parts of this appliance become hot during normal use.

Regard all parts of the appliance as a working surface.

Provide a suitable fire guard to protect young children and the infirm.



## APPLIANCE WILL NOT LIGHT

If you cannot light the appliance:

Check and change the batteries in the remote handset.

Check and change the wall plate batteries (see Section 3).

Consult your Gazco retailer or installer if the Riva2 400 still does not light.

## PILOT AREA WHITENING

Gas fire owners (not exclusive to Gazco) have reported issues of whitening around the pilot areas on their Conventional Flue glass fronted products. These white marks can also appear on glass or enamel panels inside the fire and on the inside of the glass which chemical analysis found to be Silicon Dioxide.

The cause of this is most likely a heat decomposition product of Siloxanes or similar compounds. Gazco can confirm that there are no Siloxane or similar products used in our conventionally flued fires and is therefore forming from sources external to the appliance. Siloxanes can be widely found in domestic cleaning products, cosmetics, scented room diffusers, candles and biomethane in the natural gas supply.

To reduce this problem, Gazco would recommend the removal of any products that could possibly contain Siloxanes from the room the fire is situated in.

## INSTALLATION

### SAFETY PRECAUTIONS

For your own and other's safety, you must install this appliance according to local and national codes of practice. Failure to install the appliance correctly could lead to prosecution. **Read these instructions before installing and using this appliance.**

These instructions must be left intact with the user.

Do not attempt to burn rubbish on this appliance.

Keep all plastic bags away from young children.

Do not place any object on or near to the appliance and allow adequate clearance above the appliance.



**IMPORTANT: REFER TO DATA BADGE AND TECHNICAL SPECIFICATION AT THE FRONT OF THE MANUAL TO ENSURE THE APPLIANCE IS CORRECTLY ADJUSTED FOR THE GAS TYPE AND CATEGORY APPLICABLE IN THE COUNTRY OF USE.**

**IF THE APPLIANCE IS EXTINGUISHED OR GOES OUT IN USE, WAIT 3 MINUTES BEFORE ATTEMPTING TO RELIGHT THE APPLIANCE.**

The appliance is fitted with an oxygen sensitive pilot that will act to cut off the gas supply to the appliance in the event of incorrect operation of the flue.

If the system acts to shut off the gas supply, this indicates that there is insufficient flue pull. Continued operation of this safety device means that there may be a serious problem with the flue system, and this should be inspected by a qualified gas engineer. **Do not use the appliance until an engineer says it is safe to do so.**

The oxygen sensitive pilot must not be tampered with. Use only genuine Gazco replacement parts when servicing the appliance - refer to Servicing section.

### UNPACKING

Remove the appliance from its packaging, and check that it is complete and undamaged.

Put the loose ceramic parts to one side so that they are not damaged during installation.

### CO ALARMS

Building regulations require that whenever a new or replacement fixed gas burning appliance is installed in a dwelling, a carbon monoxide alarm complying with BS EN 50291-1 (latest edition) must be fitted in the same room as the appliance. Further guidance and recommendations on the installation of carbon monoxide alarms is available in BS EN 50292 (latest edition) and from manufacturers' instructions.

**Provision of an alarm must not be considered a substitute for either installing the appliance correctly or ensuring regular servicing and maintenance of the appliance.**

## SITE REQUIREMENTS

### FLUE & CHIMNEY REQUIREMENTS

**WHEN INSTALLING A FLUE SYSTEM PLEASE REFER TO THE MANUFACTURER'S INSTRUCTIONS.**

The European chimney standards now describe chimneys and flues by their temperature, pressure and resistance to corrosion, condensation and fire. To identify the correct flue system, the minimum flue specification is shown in the Technical Specification. Existing chimneys are not covered by this system.

The flue must be installed in accordance with all local and national regulations and the current rules in force:

A flexible liner must be continuous from the appliance spigot to the roof terminal.

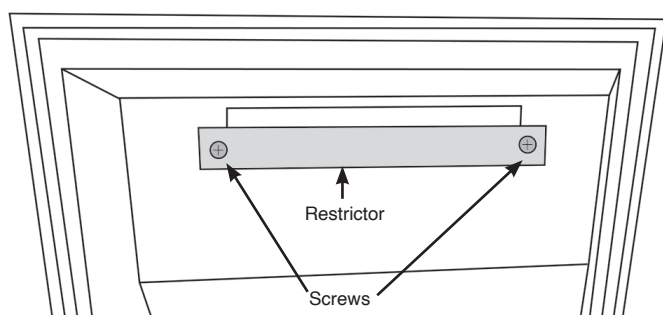
The minimum effective height of the flue must be 3m (10').

The flue must be free from any obstruction.

Any damper plates must be removed or secured in the fully open position and no restrictor plates fitted.

The chimney should be swept immediately before installing the appliance, but it need not be swept if you can see the chimney is clean and free from obstruction throughout.

A flue restrictor is provided with this appliance. This can be fitted when the flue is equal to or greater than 7" or when the flue pull is excessive.



This is fitted from outside the appliance across the outlet at the top of the box with 2 screws provided.

Ensure that there is a smooth taper transition from the fireplace opening into the chimney or flue.

The flue pull should be checked prior to installation of the appliance. Apply a smoke pellet to the flue or chimney opening and ensure that the smoke is drawn into the opening. If there is not a definite flow, preheat the chimney for a few minutes and re-test the flow.

**IF THERE IS STILL NO DEFINITE FLOW, THE CHIMNEY MAY REQUIRE ATTENTION - SEEK EXPERT ADVICE.**

### FLUE OPTIONS

There are three main suitable Conventional Flues:

- Top Exit - Builder's Opening Lined 127mm (5")
- Rear Exit - Builder's Opening Unlined 178mm minimum
- Studwork is Top Exit only - Rigid Twin Wall Flue Pipe 127mm (5")

### GAS SUPPLY

**This appliance is intended for use on a gas installation with a governed meter.**

Make sure local distribution conditions (identification of the type of gas and pressure) and the adjustment of the appliance are compatible before installation.

Ensure the gas supply delivers the required amount of gas and is in accordance with the rules in force.

Soft copper tubing can be used on the installation and soft soldered joints outside the appliance and below the firebed.

A factory fitted isolation device is part of the inlet connection; no further isolation device is required.

All supply gas pipes must be purged of any debris that may have entered prior to connection to the appliance.

The gas supply enters through the silicone panel located on the LEFT-HAND side on the rear of the outer box. Slit with a sharp knife prior to passing the supply pipe through.

The gas supply must be installed in a way that does not restrict the removal of the appliance for servicing and inspection.

### VENTILATION

**IMPORTANT: Ensure any national ventilation requirements are taken into account during installation of the appliance.**

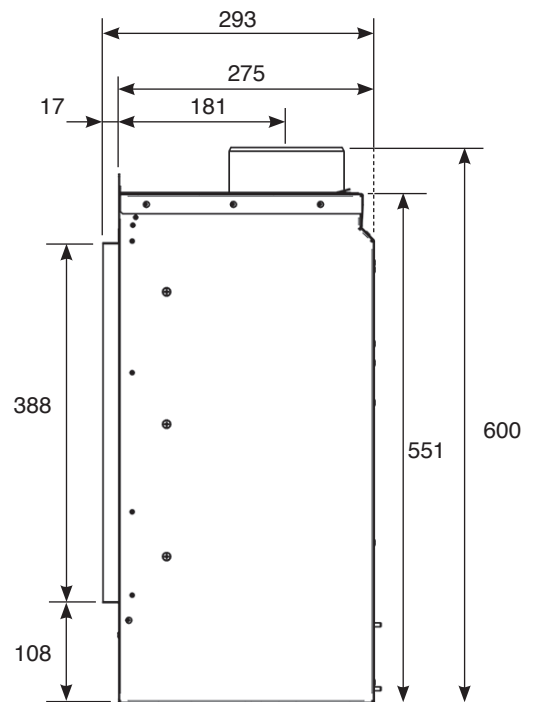
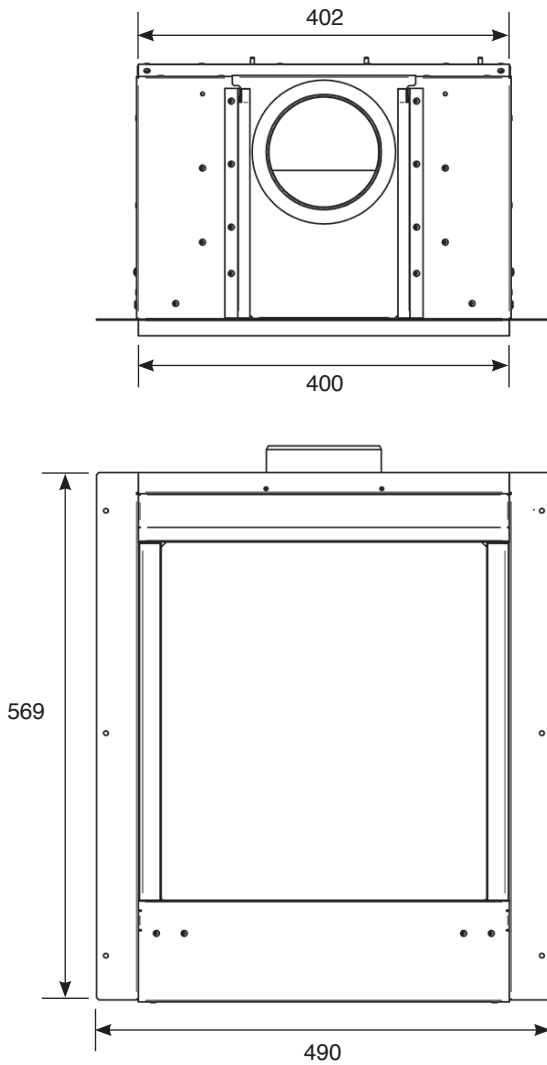
#### UK ONLY:

The appliance has a nominal input not exceeding 7.0kW and does not normally require any additional permanent ventilation.

If however, spillage is detected when commissioning the appliance, there may be insufficient natural ventilation and additional ventilation may be required.

**FOR THE REPUBLIC OF IRELAND REFER TO THE RULES IN FORCE FOR VENTILATION REQUIREMENTS.**

## DIMENSIONS



This appliance has been certified for use in countries other than those stated. To install this appliance in these countries, it is essential to obtain the translated instructions and in some cases the appliance will require modification. Contact Gazco for further information.

### PACKING CHECKLIST

QTY. DESCRIPTION	FIXING KIT CONTAINING
1 x Cassette and burner assembly	1 x Instruction manual
1 x Back panel	6 x Woodscrews
1 x LH side panel	6 x Wall plugs
1 x RH side panel	1 x Self adhesive foam strip
1 x Log set (6 logs)	1 x Handset
1 x Blanking Plate	4 x AA cell batteries
1 x Restrictor (rear exit)	1 x 9v cell battery

## TECHNICAL SPECIFICATION

MODEL	APP. CAT.	GAS TYPE	WORKING PRES-SURE	AERATION	INJECTOR	GAS RATE M <sup>3</sup> /H	INPUT KW (GROSS)		COUNTRY
							HIGH	LOW	
<b>Riva2 400</b>	I <sub>2</sub> H	Natural Gas	20mbar	2 x 4mm Ø	170	0.491	5.2	2.6	GB, IE
<b>Riva2 400</b>	I <sub>3</sub> P	Propane	37mbar	2 x 12mm Ø	115	0.189	5.1	2.5	
<b>Efficiency Class 2 - 76% / NO<sub>x</sub> Class 4</b>									
Flue Size - TOP EXIT Ø 127mm									
Flue Size - REAR EXIT 178mm ø minimum									
Gas Inlet Connection Size Ø 8mm									
Minimum Flue Specification = T250/N2/O/D/1									
Maximum Flue Temp = 230°C									

**i** The net efficiency of this appliance has been measured as specified in EN613:2001 and the result after conversion to gross using the appropriate factor from Table E4 of SAP 10.2 is 70%. The test data has been certified by Kiwa Nederland BV. The gross efficiency value may be used in the UK Government's Standard Assessment Procedure (SAP) for energy rating of dwellings.

## APPLIANCE LOCATION

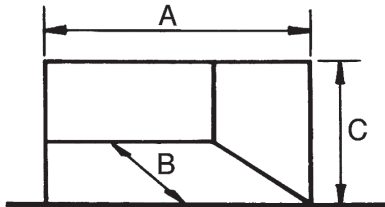
### MASONRY INSTALLATION



If fitting this appliance with a decorative frame it cannot be installed with the base of the appliance less than 150mm from the floor level. The frame requires a minimum clearance to allow air to circulate.

If this appliance is fitted less than 150mm from the floor, then it will require a hearth to protect the floor. The hearth should have a minimum dimension of 12mm thick, projecting 300mm in front and 150mm either side of the appliance.

The minimum opening dimensions are shown.

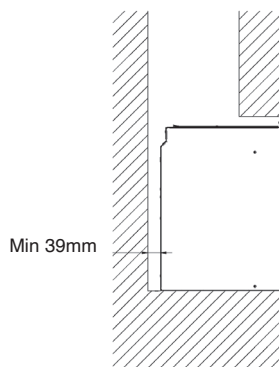


DIMENSION	BRICK BUILT CLASS 1	PRE-FAB METAL BOX
A	425	407
B	350	317
C	560	560

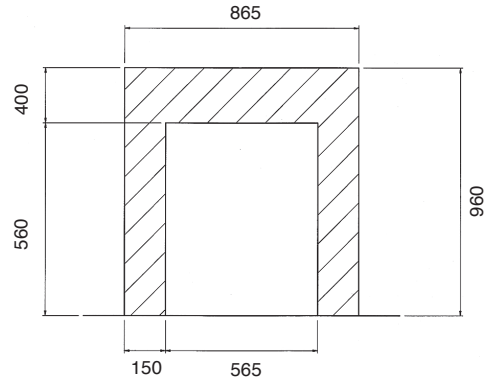
This appliance must not be installed in a room that contains a bath or shower.

**NOTE:** If using natural materials for the back panel of the fireplace, it is recommended that it is constructed from three or more sections to prevent cracking. Resin-based materials may not be suitable. This appliance is an effective heat producer and attention must be paid to the construction and finish of the fireplace.

When the appliance is installed in a masonry chimney without a liner, there must be a minimum debris collection area.



This appliance is not suitable for installation onto a combustible wall; all combustible materials must be removed from the area shown.



## STUDWORK INSTALLATION

**i** Gazco recommend building the enclosure from the following materials:  
**Metal Studwork**  
**Non-combustible board:**  
**Masterboard or Promafour - NOT PINK BOARD**  
**Heat Resistant Plaster: Purimacho (any spider cracks that develop after installation will need to be rubbed down and refilled with Purimacho heat resistant filler to stabilise).**

**Ensure all distances to combustible materials are maintained.**

If a studwork installation is used (eg. wooden framework and plasterboard), combustible parts of the studwork must not be any closer than the minimum dimensions shown in the diagrams. NOTE: These dimensions must be maintained even if the combustible materials is protected by non-combustible linings.

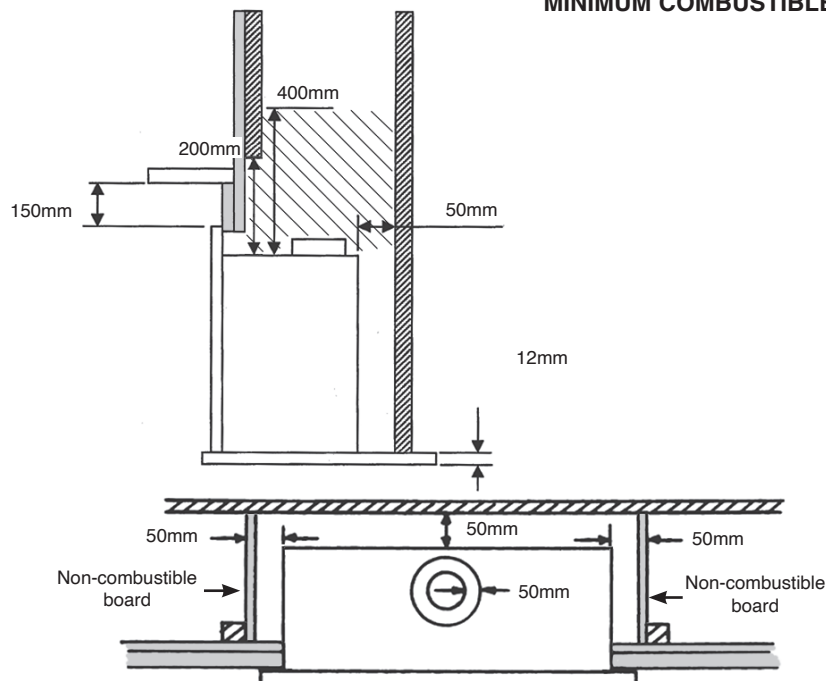
Do not pack the void around or above the appliance with insulation materials such as mineral wool.

The void into which the cassette is fitted must be ventilated to prevent a build up of heat. If the void is sealed then it will be necessary to fit vents at both low and high levels with a minimum open free area of 50cm<sup>2</sup> each. These vents should take cold air from the room and return warm air back into the room.

A removable access hatch must be left in the side of the chimney breast for future servicing and inspection of the appliance.

Build the studwork chimney breast to the desired size. Ensure that the clearances to combustible materials is maintained.

### MINIMUM COMBUSTIBLE MATERIAL CLEARANCES



It is recommended that a marble slip or similar material is used when fitting cassette fireplaces into a plastered surface, in order to allow for heat dissipation. Also allow adequate time for newly plastered areas to dry out. Rapid drying can create cracks. If in doubt, seek the advice of a professional plasterer.

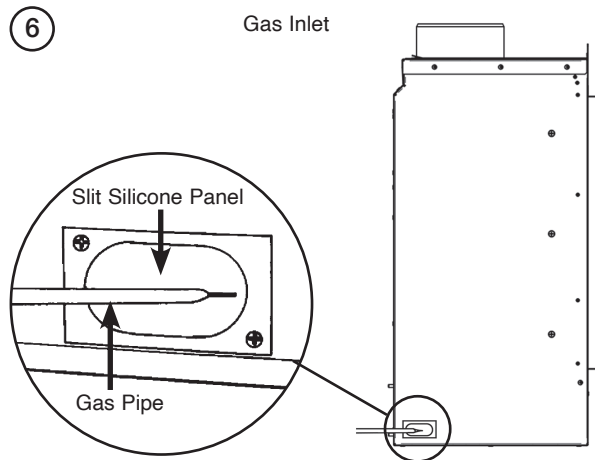
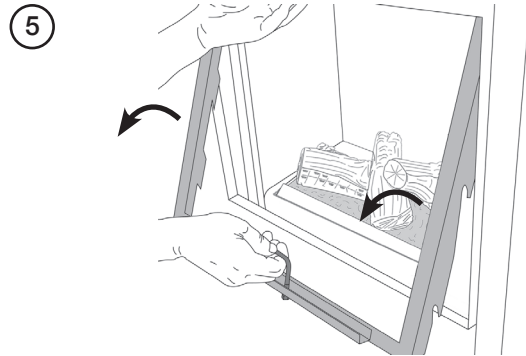
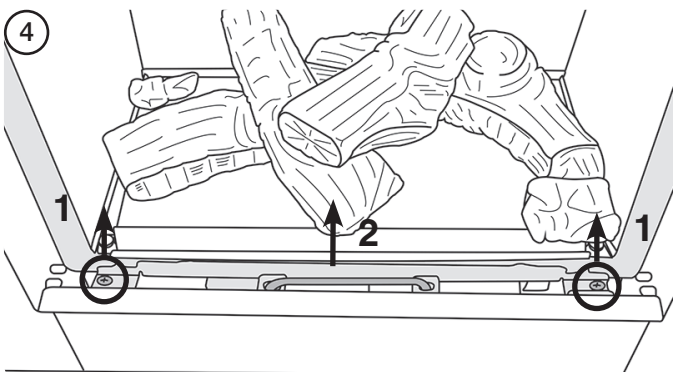
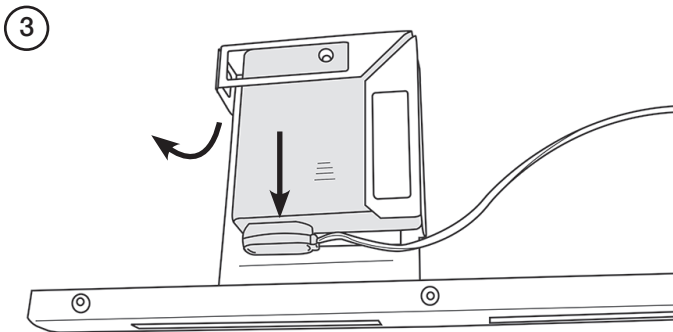
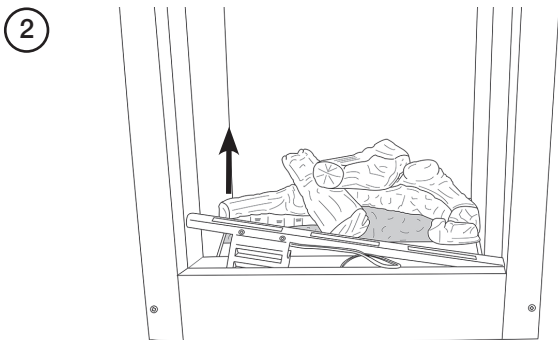
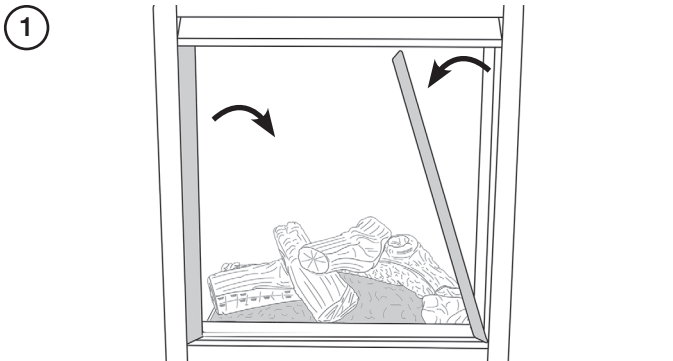
Parts of this appliance become hot during normal use. It is therefore recommended that a suitable fire guard be used for protection of young children and the infirm.

## PRE-INSTALLATION

This appliance can be installed in four different ways:

- 1) Builder's opening with an Edge finish.
- 2) Builder's opening with a decorative front.
- 3) Studwork with an Edge finish.
- 4) Studwork with a decorative front.

### REMOVING THE GLASS FRAME



**i** Note: The isolation elbow needs to be attached to the gas pipe before installation.

## FLUE ASSEMBLY

For additional information please refer to Site Requirements section.

Options 1 and 2 above can be:

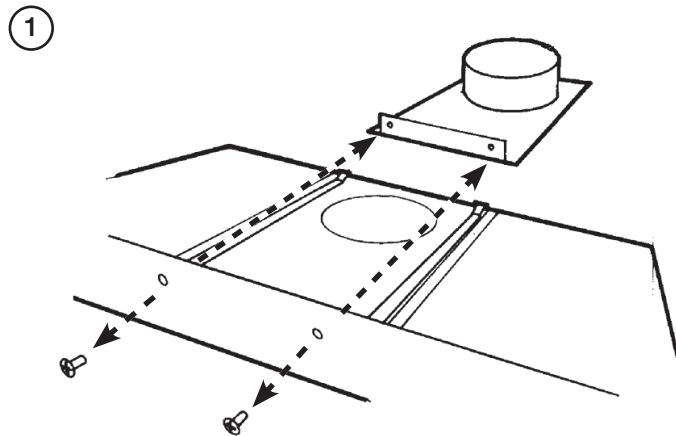
- Top exit with a liner - 127mm
- Rear exit without a liner - 178mm minimum

The flue must be in good condition and clear products of combustion, see Installation Instructions, Commissioning.

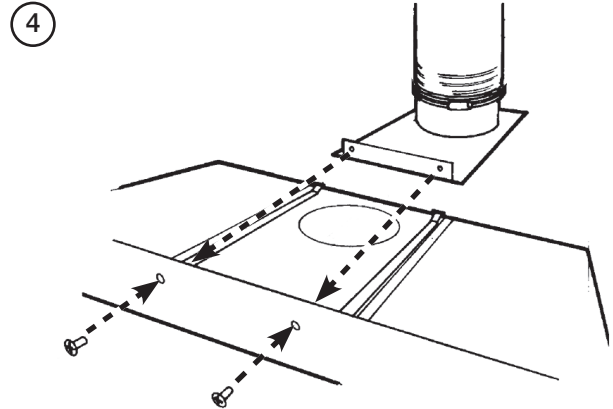
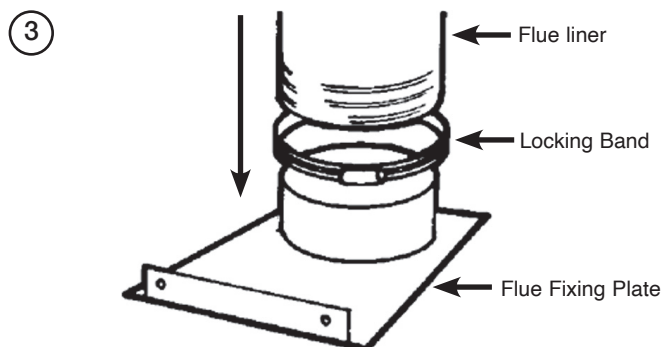
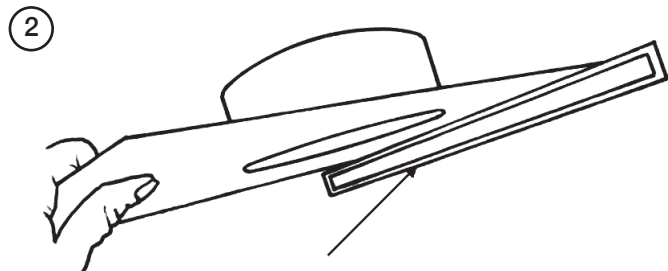
### TOP EXIT

The appliance is supplied with a flue fixing plate to attach the flue liner to the appliance within the aperture.

**IMPORTANT:** Options 3 and 4 (Studwork with Edge finish or decorative front) must be fitted using the top exit only with rigid twin wall flue pipe.



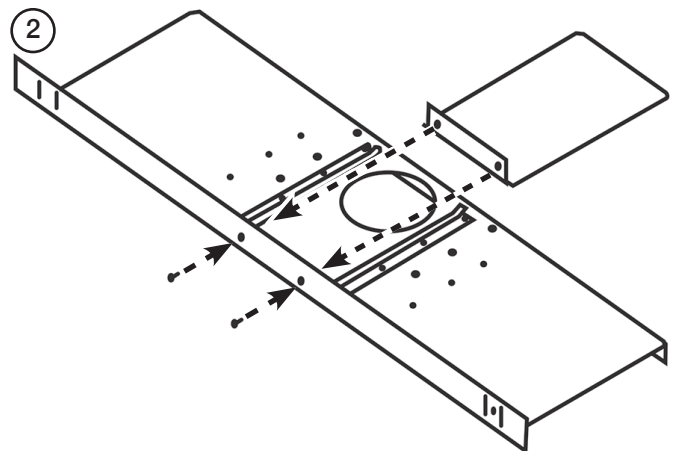
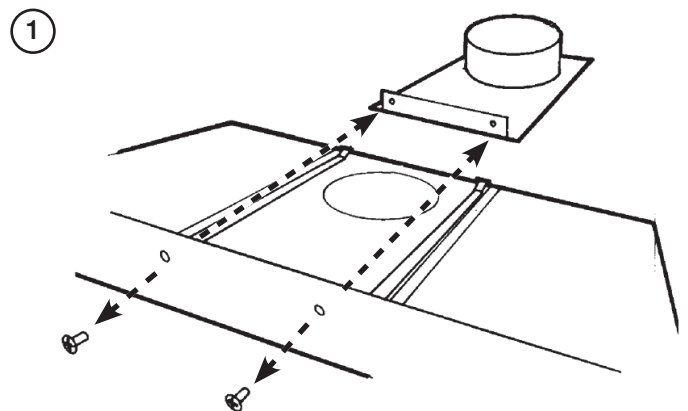
If a flexible liner is to be used check the seal on the inner lip of the spigot plate is intact. Replace if necessary.



**IMPORTANT:** Ensure that the sliding flue plate rests at the correct height in the opening. The front flange of the plate rests against the outside face at the top of the opening.

### REAR EXIT

**IMPORTANT:** When installing the appliance into a masonry chimney without a liner, it must be converted to a rear exit.



## MASONRY CHIMNEY INSTALLATION

There are 2 methods of installation into a masonry chimney:

Edge finish Installation.  
Installation with a decorative front.

Carefully read the relevant section for the installation method required.

### EDGE FINISH INSTALLATION

This method is designed so that non-combustible board can be taken right up to the edge of the flange of the appliance.

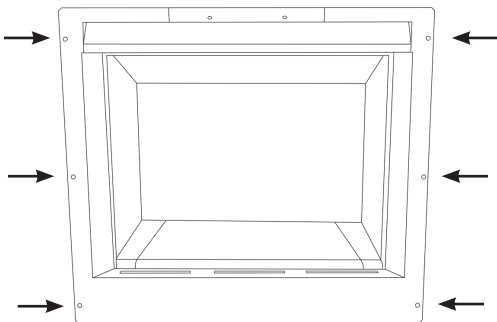
Fix the self adhesive foam seal around the back of the fixing flange of the appliance.

Prepare the flue connection using the chosen method.

Connect the flue and install the appliance into the aperture. At the same time ensure that the gas pipe passes through the silicon panel at the back of the appliance and the wall panel cable passes through the side grommet.

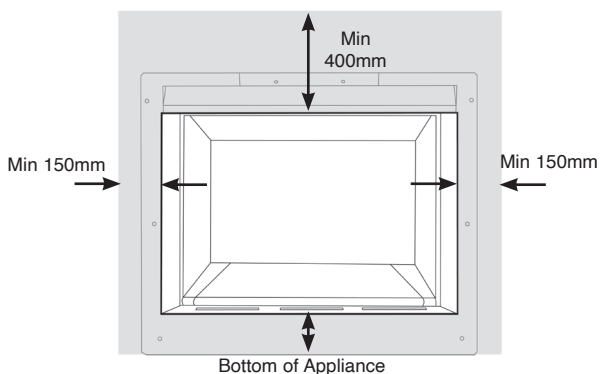
**i** Note: It may be necessary to feed the wall plate cable through the silicon panel during installation.

Secure the appliance through the 6 fixing holes using the screws provided.



Build the chimney breast up to coincide with the edge, allowing for the front to be skimmed level.

Fit non-combustible board to the chimney breast around the appliance, using the distance to combustibles.



Fit plasterboard to the remaining of the chimney breast front.

Apply a heat resistant plaster around the appliance using the distance to combustibles.

Apply a plaster finish to remaining chimney breast front.

### INSTALLATION WITH A DECORATIVE FRONT

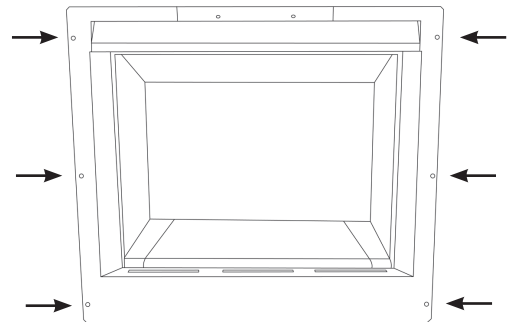
Fix the self adhesive foam seal around the back of the fixing flange of the appliance.

Prepare the flue connection using the chosen method.

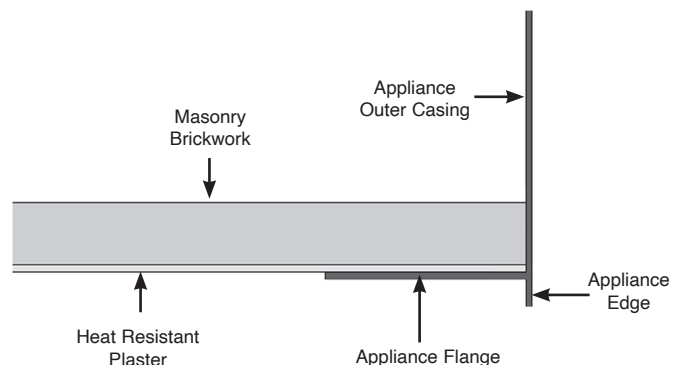
Connect the flue and install the appliance into the aperture. At the same time ensure that the gas pipe passes through the silicon panel at the back of the appliance and the wall panel cable passes through the side grommet.

**i** Note: It may be necessary to feed the wall plate cable through the silicon panel during installation.

Secure the appliance through the 6 fixing holes using the screws provided.



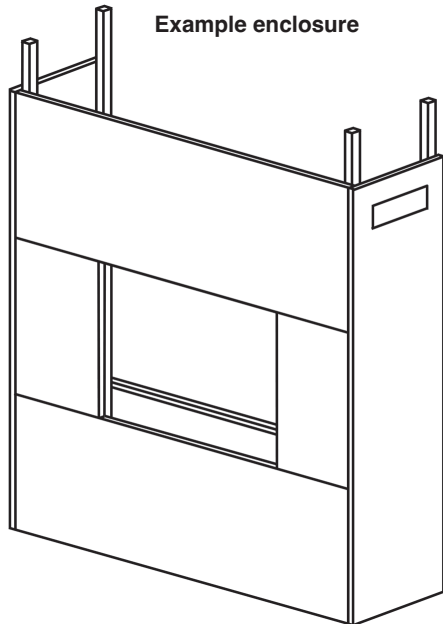
The appliance flange should sit flush to the brickwork and the edge should sit proud of the wall.



The subframe for the decorative front can now be fitted by following the instructions supplied with the Front.

**NOTE: THE SUBFRAME MUST SIT FLUSH TO THE WALL LEVEL WITH THE APPLIANCE FLANGE.**

## ENCLOSURE CONSTRUCTION



### VENTILATION



The void into which the cassette is fitted must be ventilated to prevent a build up of heat. If the void is sealed then it will be necessary to fit vents at both low and high levels with a minimum open free area of 50cm<sup>2</sup> each. These vents should take cold air from the room and return warm air back into the room.

Gazco recommend building the enclosure from the following materials:

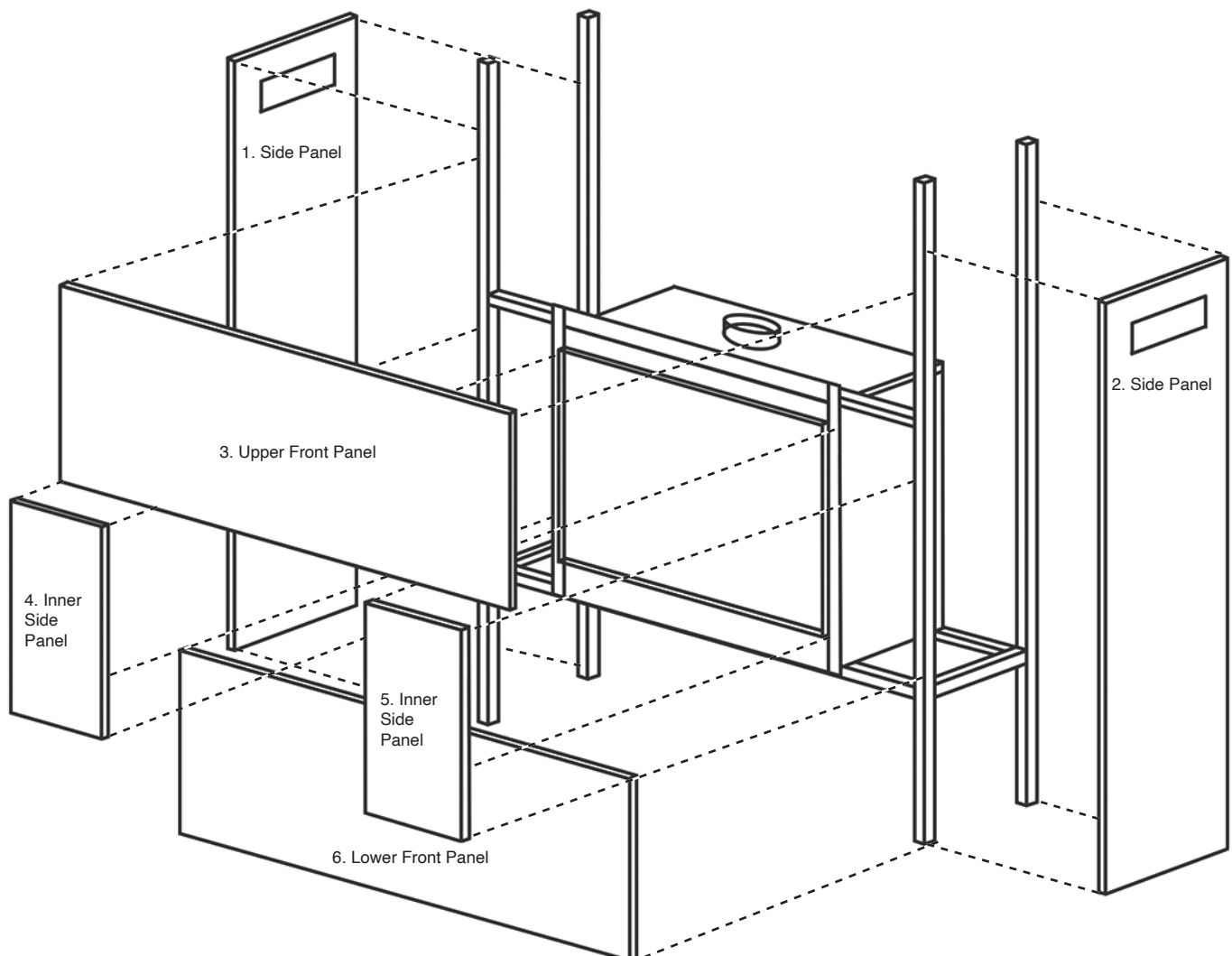
Metal Studwork

Non-combustible board:

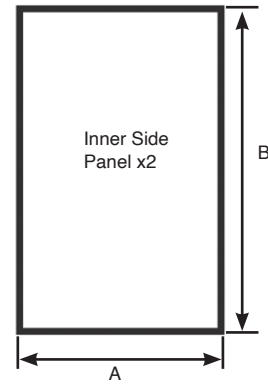
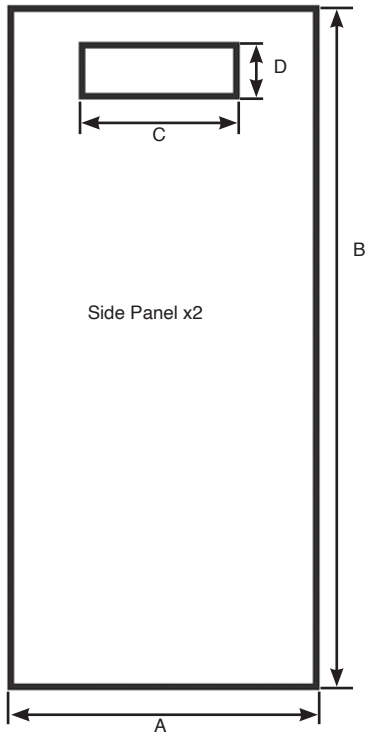
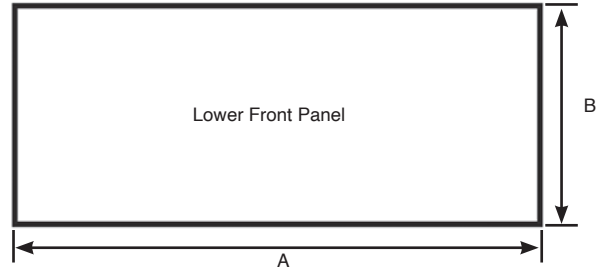
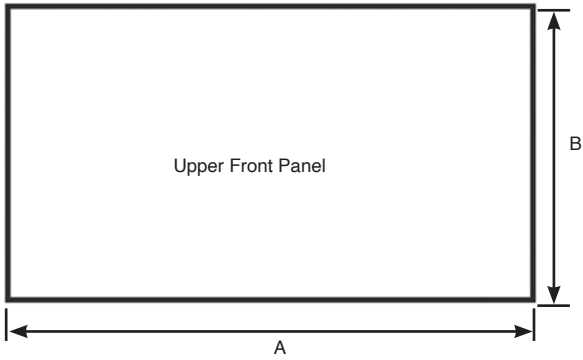
Masterboard or Promafour - NOT PINK BOARD

Heat Resistant Plaster: Purimacho (any spider cracks that develop after installation will need to be rubbed down and refilled with Purimacho heat resistant filler to stabilise).

Ensure all distances to combustible materials are maintained



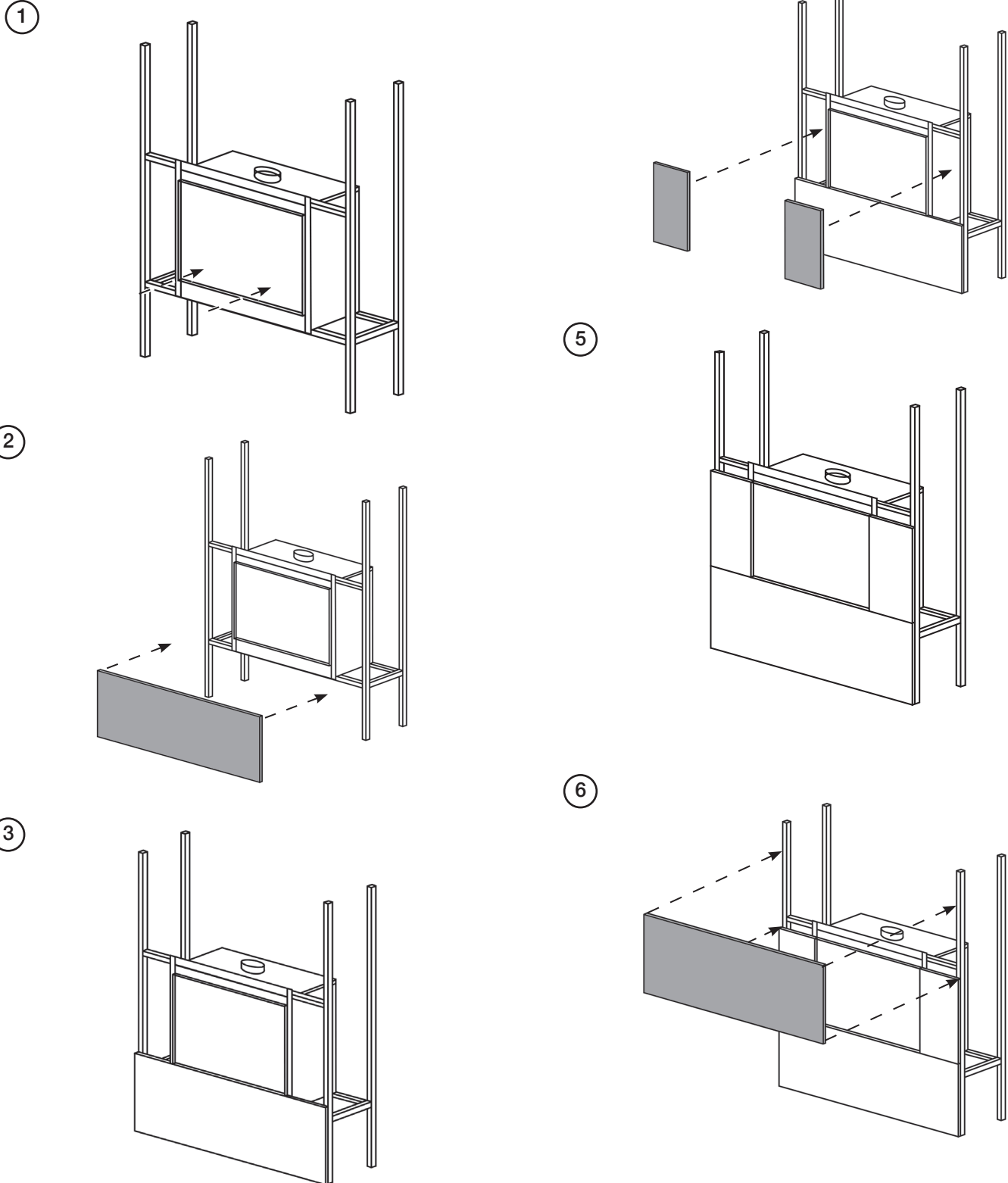
## CUTTING TEMPLATES



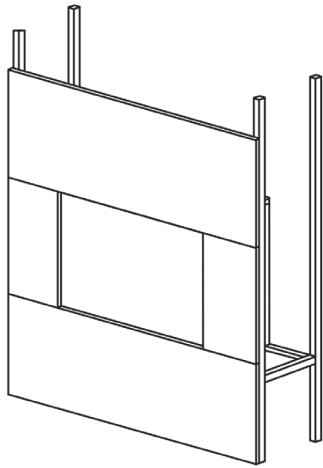
PANEL	A (MIN)	B (MIN)	C	D
Upper Front Panel	853mm	400mm	-	-
Lower Front Panel	853mm	109mm No Frame 150mm - Decorative Frame	-	-
Side Panel	361mm	896mm No Frame 937mm - Decorative Frame	100	30
Inner Side Panel	150mm	387mm	-	-

## EDGE FRAME INSTALLATION

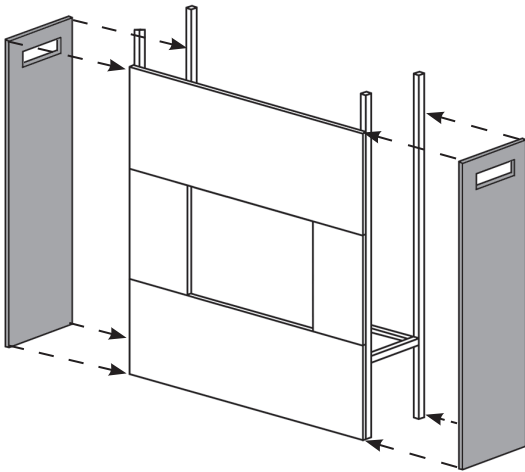
Fix the self adhesive foam seal around the back of the fixing flange of the appliance.



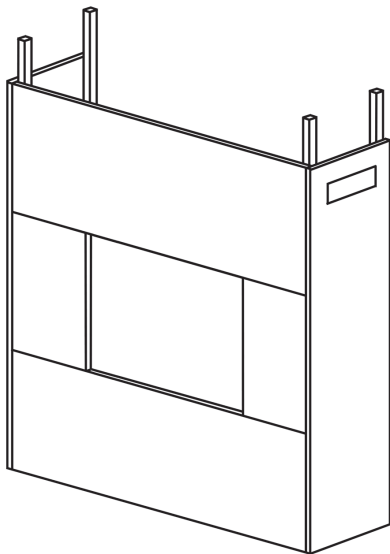
7



8



9

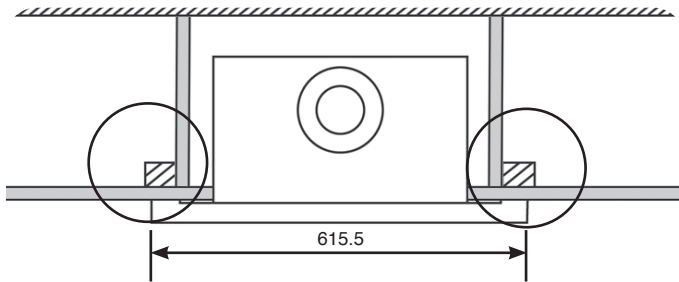


## DECORATIVE FRAME INSTALLATION



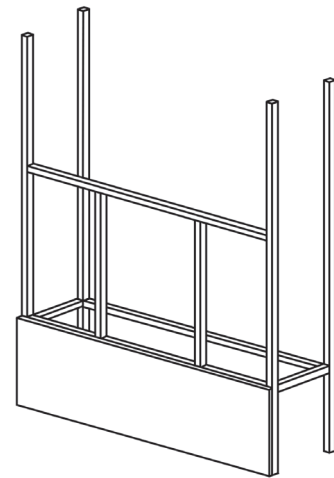
**IMPORTANT: BEFORE THE INSTALLATION OF THE DECORATIVE FRONT ENSURE THAT THE WALL ABOVE AND TO THE SIDES OF THE APPLIANCE IS SUITABLY CONSTRUCTED FOR THE FIXINGS TO SUPPORT THE WEIGHT OF THE FRONT. IF THE WALL IS CONSTRUCTED FROM PLASTERBOARD OR SIMILAR, IT IS ESSENTIAL THAT BATTERNS ARE LOCATED TO THE SIDES OF THE APPLIANCE IN THE FIXING AREA TO PROVIDE STRENGTH TO THE FIXINGS.**

When constructing a studwork installation it is essential to observe the clearances to combustibles but make provision for the frame fixings.

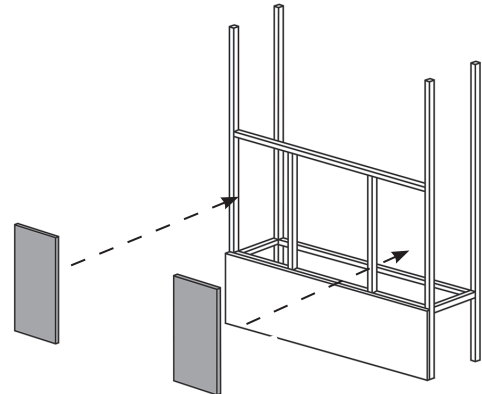


This diagram shows the minimum clearance position when installing the appliance into studwork - it is vital to ensure the opening is wide enough to accommodate the fixings for the front.

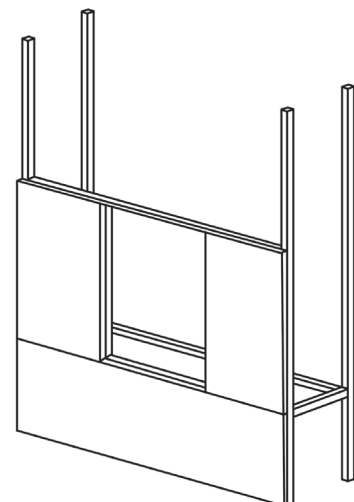
3



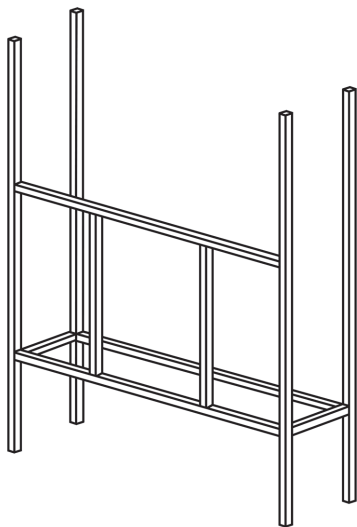
4



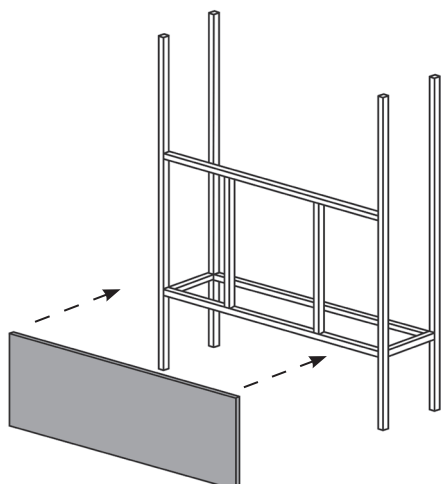
5

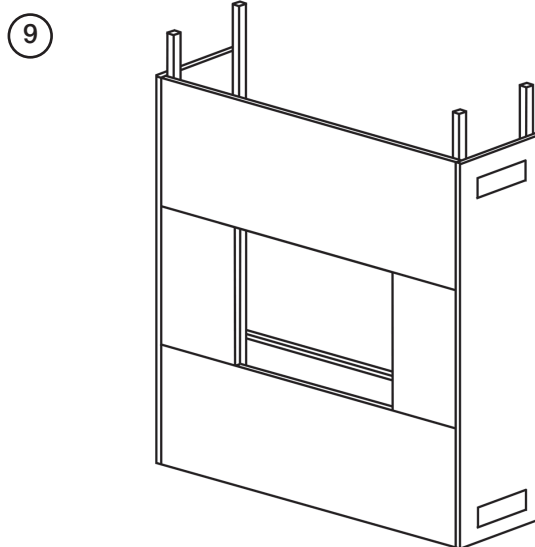
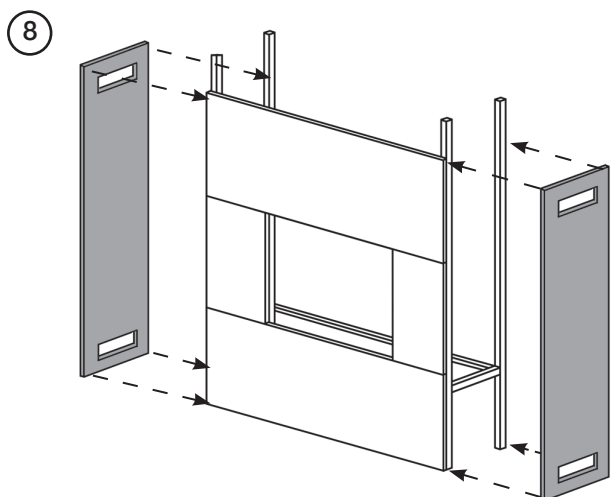
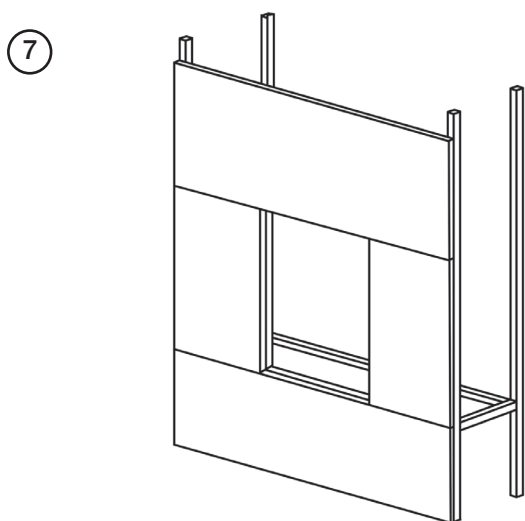
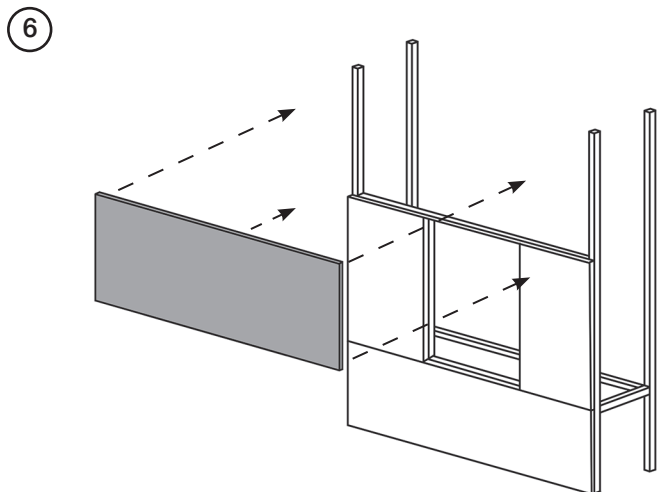


1

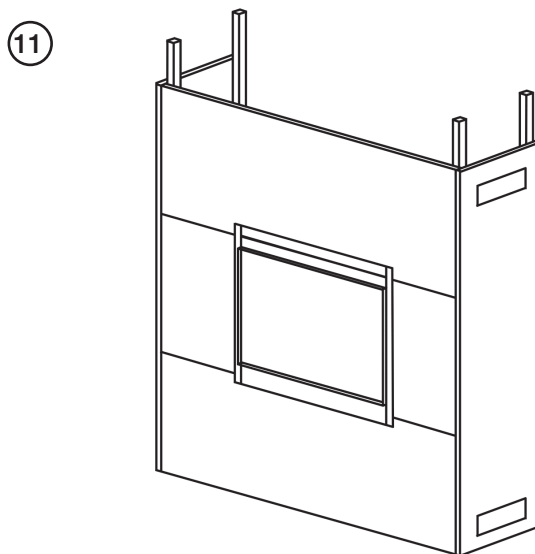
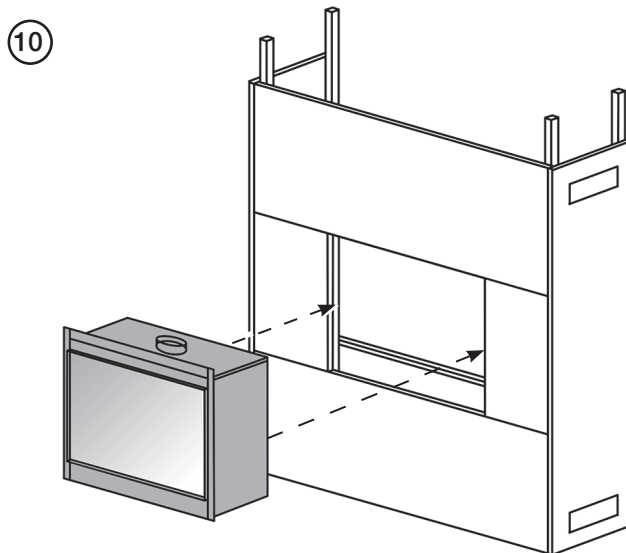


2



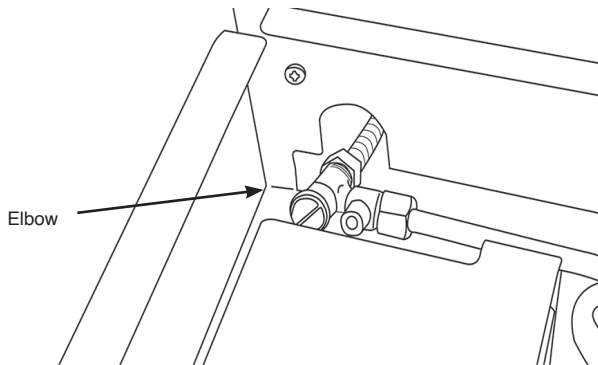


Fix the self adhesive foam seal around the back of the fixing flange of the appliance.



## GAS SOUNDNESS PRESSURE CHECK

Connect a suitable pressure gauge to the test point located on the inlet fitting and turn the gas supply on. Light the appliance and check all gas joints for possible leaks. Turn the appliance to maximum and check that the supply pressure is as stated on the databadge. Turn the gas off and replace the test point screw, turn the gas on and check the test point for leaks.



Check the function of the handset, if there is no communication between the remote control and the appliance, see Commissioning Section.

## BAFFLE & LINERS

The appliance has the option of two different liner finishes:

- Black Reeded
- Black Glass



### BLACK REED LINERS

These lining panel options are available for this product and contains Refractory Ceramic Fibre (RCF), a material which is commonly used for this application.

RCF waste is classed as stable, non-reactive hazardous waste and may be disposed of at a licensed landfill site.

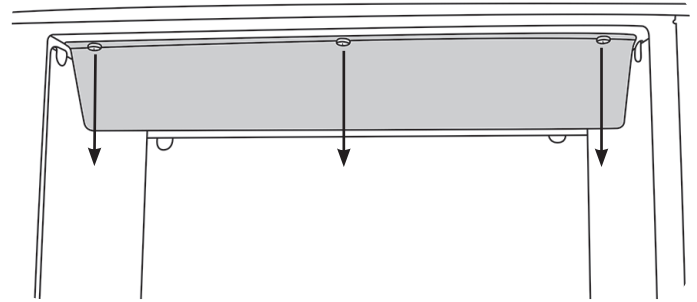
If replacing these items do not break them up. Seal within heavy duty polythene bags and label as RCF waste.

Protective clothing is not required when handling these articles.

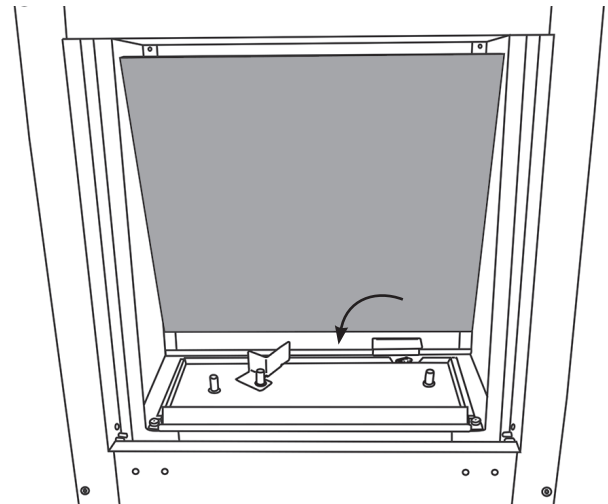
If the Liners are visibly broken Gazco recommend using gloves and a face mask to remove the pieces and remove any dust accumulated in and around the appliance before and after working on it with a HEPA filtered vacuum.

If any concerns remain contact Gazco Technical Customer Services to obtain the manufacturers Safety Data Sheet.

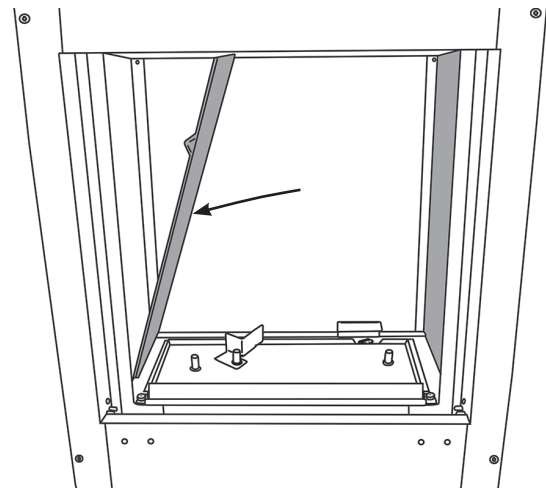
The baffle must be removed before the liners can be fitted.



### LINERS



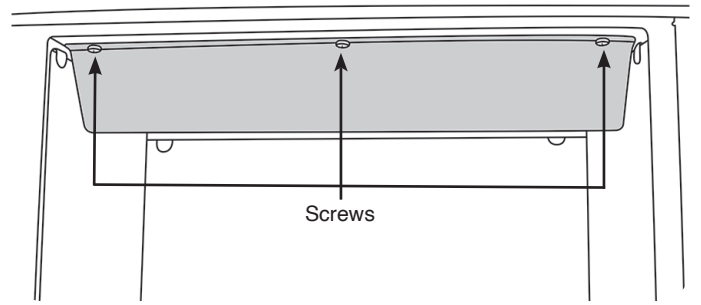
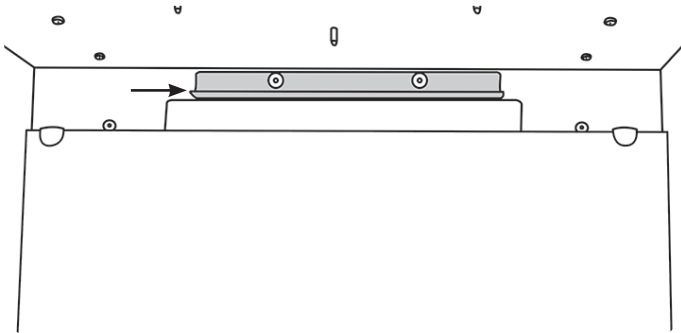
Support the rear liner until the side panels are in place.



The 2 side liners support the rear liner.

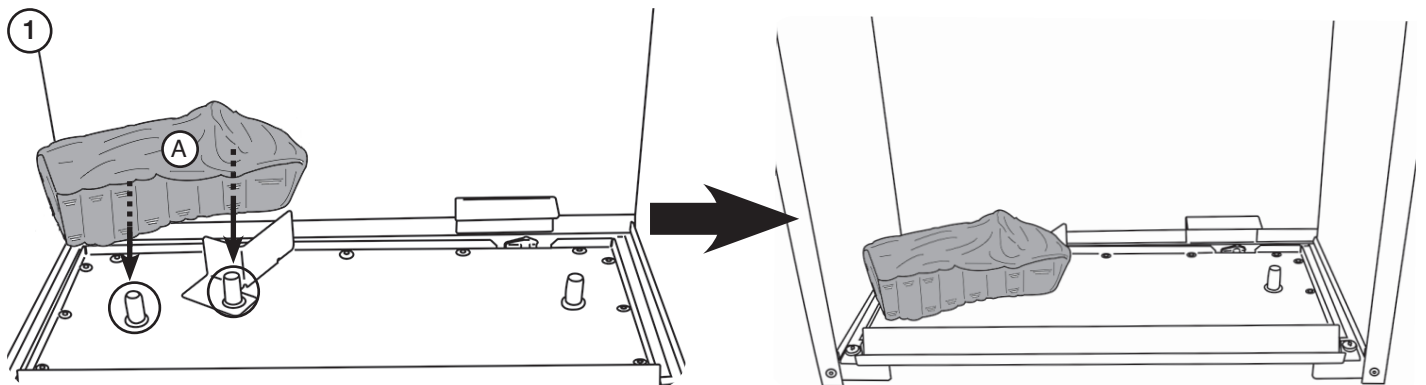
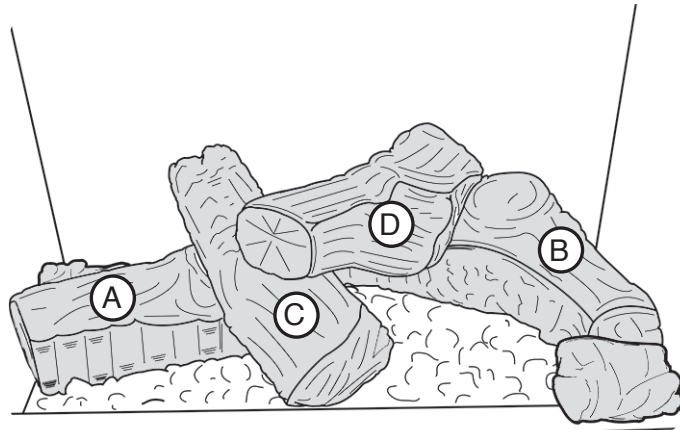
**BAFFLE**

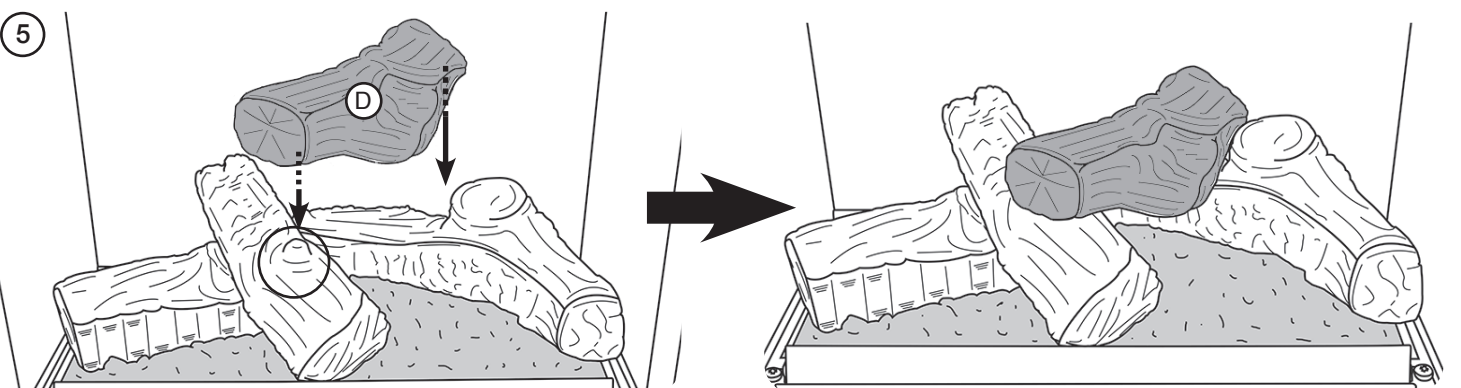
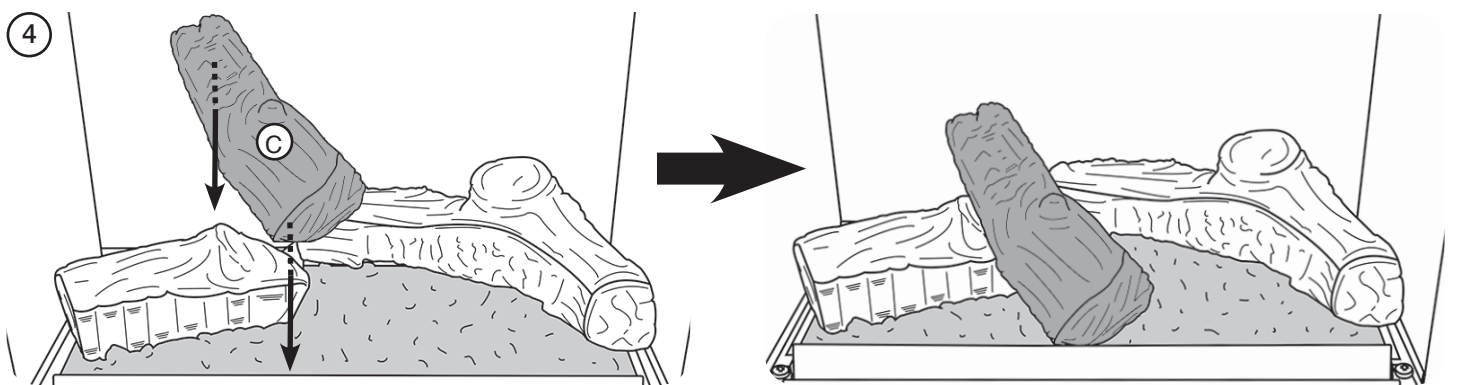
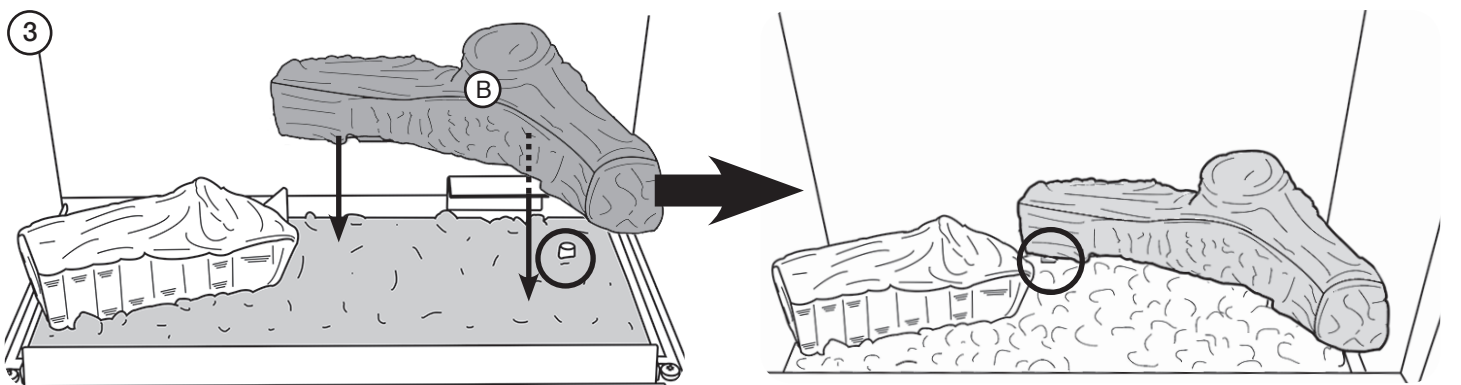
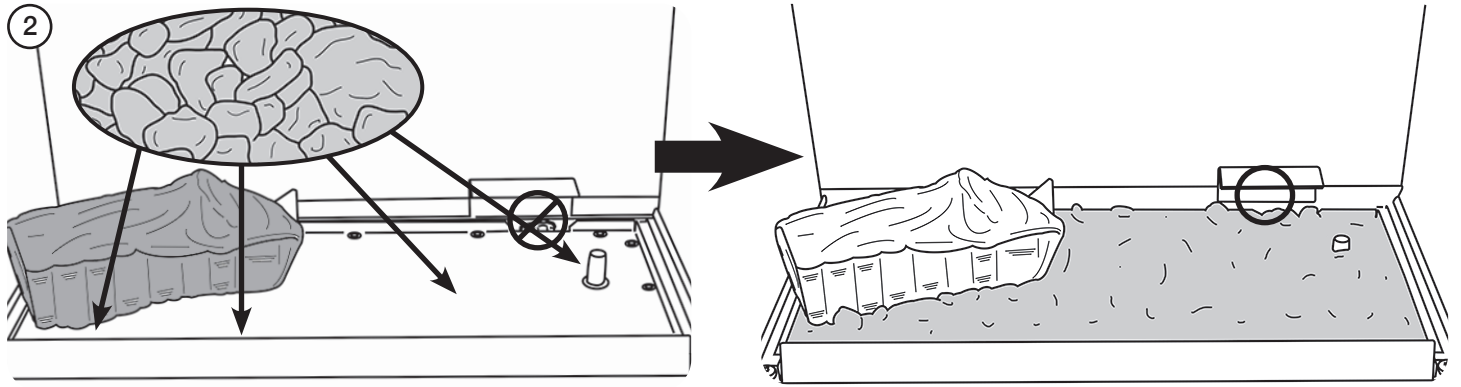
Position the baffle - the rear edge locates above the rear lip.

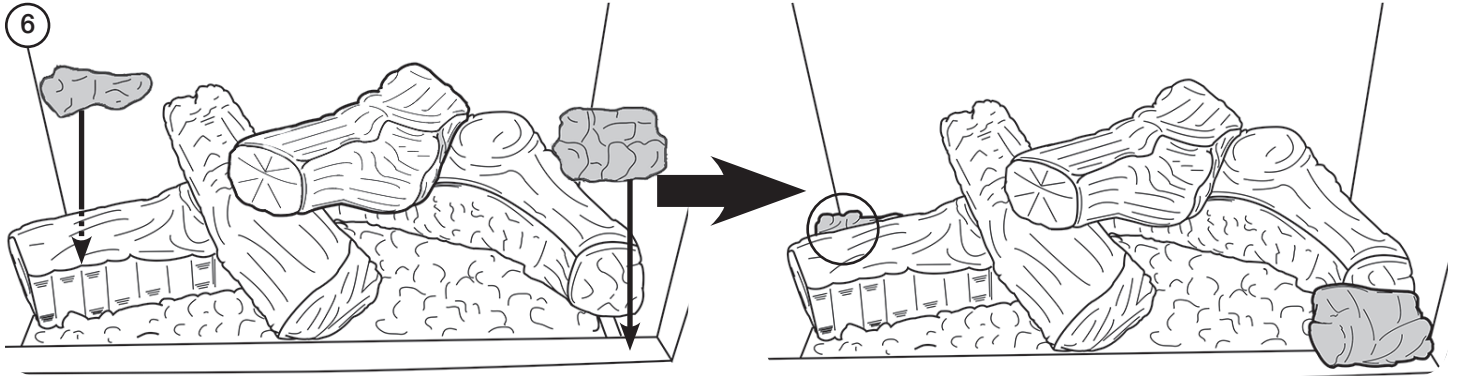


**LOG LAYOUT**

LOGS MUST BE POSITIONED ACCORDING TO THE FOLLOWING INSTRUCTIONS TO GIVE THE CORRECT FLAME EFFECT.

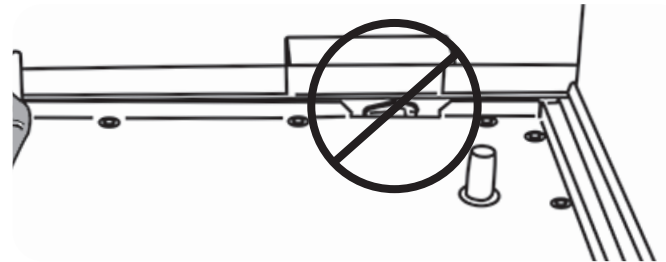
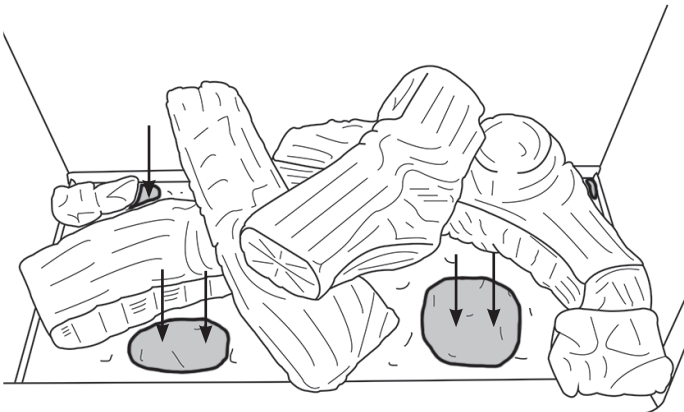






## Embaglow

**WARNING:**  
DO NOT PLACE NEAR THE PILOT AREA.



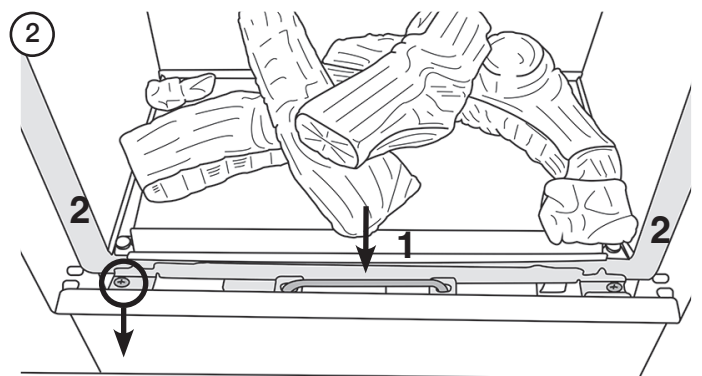
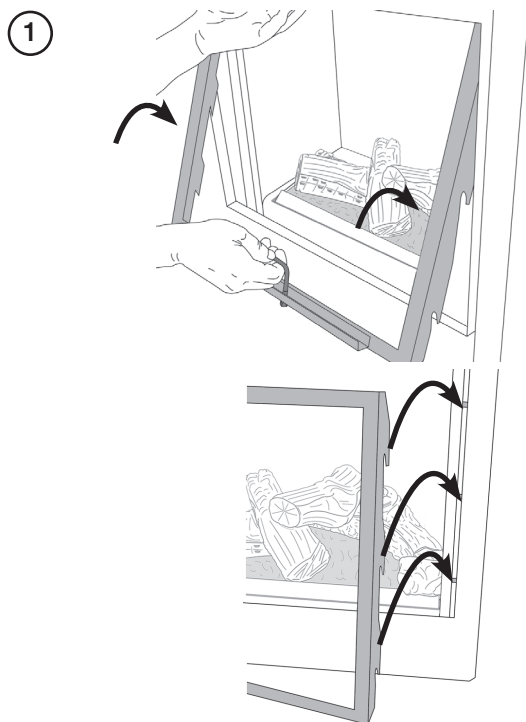
IT MAY NOT BE NECESSARY TO USE ALL THE EMBAGLOW IN THIS PACK.

Sparingly spread an amount of the fibres provided on the sections highlighted in the instructions.

Take care not to use more than specified in the instructions.

Do not place Embaglow in the area around the pilot burner - see highlighted example on diagram as this may effect the ignition process and flame picture.

## COMPLETION OF ASSEMBLY

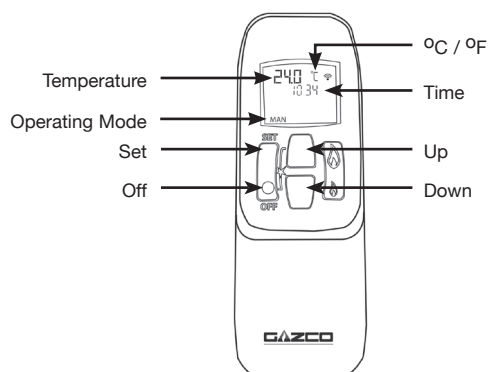


REPLACE ALL OF THE SECURING SCREWS, ENSURING THAT A SCREW IS PRESENT IN ALL FIXING SLOTS.

UNDER NO CIRCUMSTANCES SHOULD THE APPLIANCE BE USED IF ANY OF THE GLASS FRAME RETAINING SCREWS RE LOOSE OR MISSING.

## LIGHTING THE APPLIANCE

The appliance is operated by thermostatic remote control.



This remote controls the appliance from pilot ignition through to shut down.

In **MANUAL MODE** you can:

- Turn on the main burner using the UP button
- Regulate the flame from high to low and back
- Turn off the burner leaving just the pilot burning

In **TEMP MODE (Automatic)** you can:

- Set the room temperature so the thermostat in the remote automatically maintains that temperature

In **TIMER MODE (Automatic)** the appliance:

- Turns on and off according to the set time periods
- Automatically regulates the room temperature during the set periods


### Turning the appliance On:

Your remote can control the gas appliance from pilot ignition through to shut down.

To turn the appliance on, press the OFF and UP buttons simultaneously. Several short beeps sound.

**The pilot and main burner ignite and the remote is now in Manual Mode.**

 **IMPORTANT: YELLOW FLAMES TYPICALLY APPEAR WHEN THE APPLIANCE HAS REACHED NORMAL OPERATING TEMPERATURE. THIS CAN TAKE UP TO 30 MINUTES.**

 **WARNING: IF THE APPLIANCE FAILS TO LIGHT OR BECOMES EXTINGUISHED IN USE, WAIT 3 MINUTES BEFORE ATTEMPTING TO RELIGHT.**

### Turning the appliance Off:

Press the OFF button to turn the appliance off.

FOR SAFETY, YOU MUST WAIT 30 SECONDS BEFORE LIGHTING THE APPLIANCE AGAIN.

**FOR FULL OPERATING INSTRUCTIONS AND TROUBLESHOOTING SEE USER SECTION.**

## COMMISSIONING

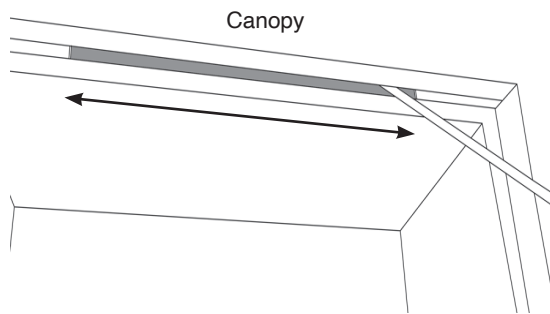
Check the flame picture, log layout.

Check the gas pressure.

Close all door and windows in the room.

Ignite the Riva2 and operate on maximum for 5 minutes.

Position a lighted smoke match just inside the draught diverter opening (under the canopy) and check all smoke is drawn in along the opening.



If there is any doubt:

Run the appliance for a further 10 minutes and repeat the test.

Complete the Commissioning Checklist at the front of this manual covering:

- Thermocouple soundness checks.  
This is to include ensuring the thermocouple is secure on the pilot bracket assembly, lead connection and integrity.
- Flue checks
- Gas checks
- Log/fuel effect layout - flame picture

For working pressure test, refer to Technical Specifications.

Upon completion of the commissioning and testing of the installation and correct operation of the appliance, the installer must instruct the user how to operate the appliance.

Guide the user through the User Instructions paying particular attention to:

- a) Regular servicing (Section 10 of the User Instructions).
- b) Ventilation (Section 11 of the User Instructions) - point out the ventilation positions where applicable.
- c) Hot surfaces (Section 13 of the User Instructions).
- d) How the appliance works with the remote control handset and the modes of operation (Section 2 of the User Instructions).
- e) How to change settings in the auto mode and program modes of operation.

f) What to do if the appliance fails to operate (Section 14 of the User Instructions).

If there are any extractor fans in the room or adjacent rooms, the test must be repeated with the fans running on maximum.

**IF SPILLAGE PERSISTS, DISCONNECT THE APPLIANCE AND SEEK EXPERT ADVICE.**

For future reference, record the installation details on the Commissioning Sheet on Page 3.

## REPROGRAMMING HANDSET/ CONTROL BOX

To access the control box see Servicing Instructions, Section 4 - Main Burner.

— Press and hold the reset button on the control box until you hear two signals. After the second longer signal:

— Release the reset button and within 20 seconds:

— Press the DOWN button on the handset until you hear two additional short signals confirming the new code is set.

If there is a single long signal the code learning sequence has failed or the wiring is incorrect.

## SERVICING/FAULT FINDING CHARTS

### SERVICING REQUIREMENTS

**IMPORTANT – The glass panels on this appliance should be checked for any signs of damage on the front face of the glass panel (scratches, scores, cracks or other surface defects). If damage is observed, the glass panel must be replaced and the appliance must not be used until a replacement is installed. Under no circumstances should the appliance be used if any damage is observed. Please isolate the appliance until a replacement glass panel has been obtained and installed. Replacement glass panels can be purchased from Gazco via the retailer from which the appliance was purchased or any other Gazco distributor.**

This appliance must be serviced at least once a year by a competent person.

All tests must be carried out in accordance with the current Gas Safe recommendations.

#### Before Testing:

- Conduct a gas soundness test for the property ensuring there are no leaks before servicing.
- Check the operation of the appliance before testing.

#### Special checks:

- Clean the burners using a vacuum cleaner with a soft brush attachment. Ensure all debris is removed from the burner ports.
- Clean away lint or fluff from the pilot.
- Clean away lint or fluff from under the burner.
- Check the spark gap on the pilot is correct.
- Ensure that the glass is secured correctly and that all retaining screws are in place.

Correct any faults found during the initial test.

Re-commission the appliance in accordance with Commissioning Procedures of these instructions.

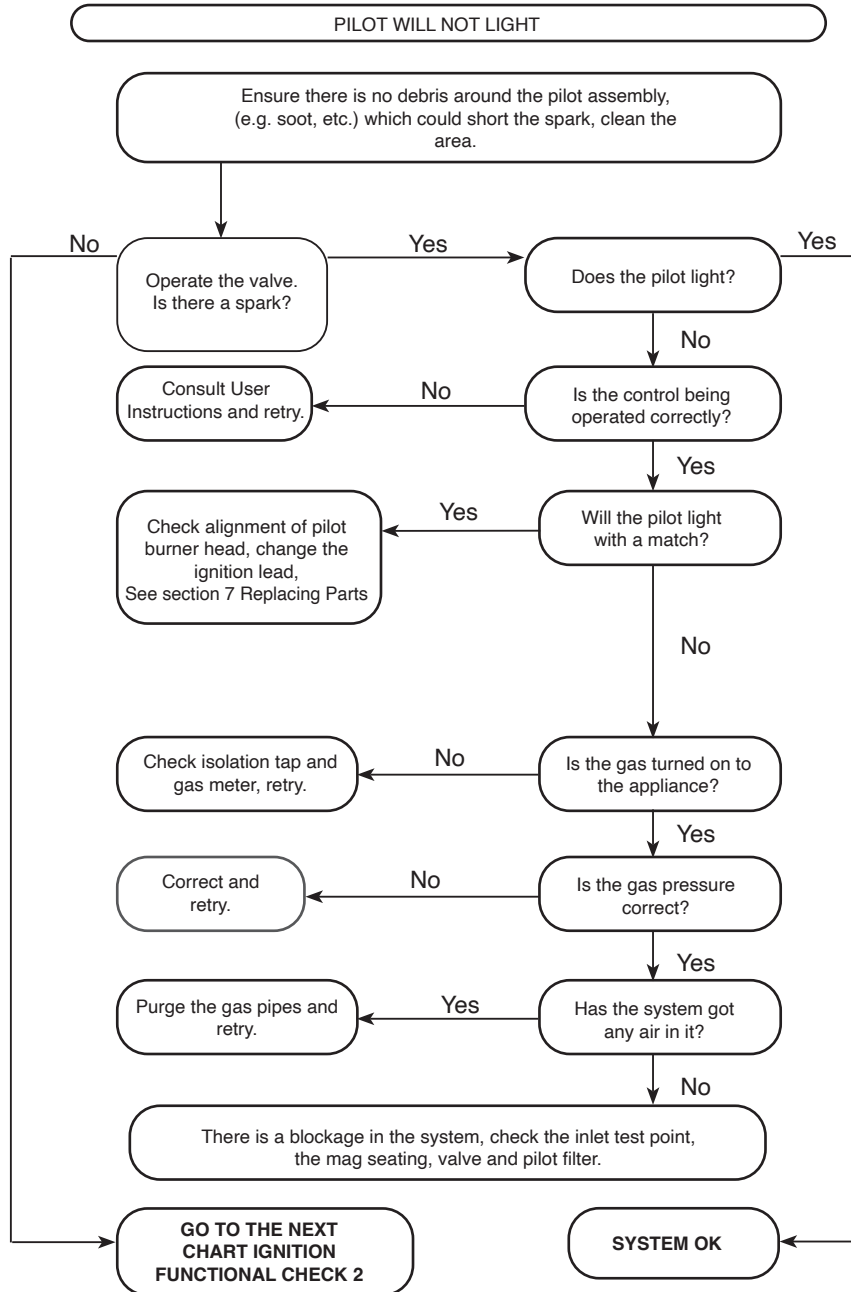
Advise the customer of any remedial work undertaken.

### ELECTRONIC CONTROL VALVE FAULT ANALYSIS

SYMPTOM	CAUSE	REMEDY
Frequent beeps for 3 seconds after operation request	Batteries low in appliance	Replace appliance batteries
No ignition, 5 second continuous tone (there may be several short beeps before)	Loose/damaged wire	Check interrupter block and wires
No ignition, no tone, motor turns slightly when operated	Receiver board damaged	Replace receiver
No pilot flame and control continues to spark	Thermocouple circuit wired incorrectly	Correct wiring
Pilot lights, control continues to spark, valve shuts down after 10 - 30 seconds	1. Loose/damaged wires 2. Receiver board damaged	1. Check interrupter and wires 2. Replace receiver

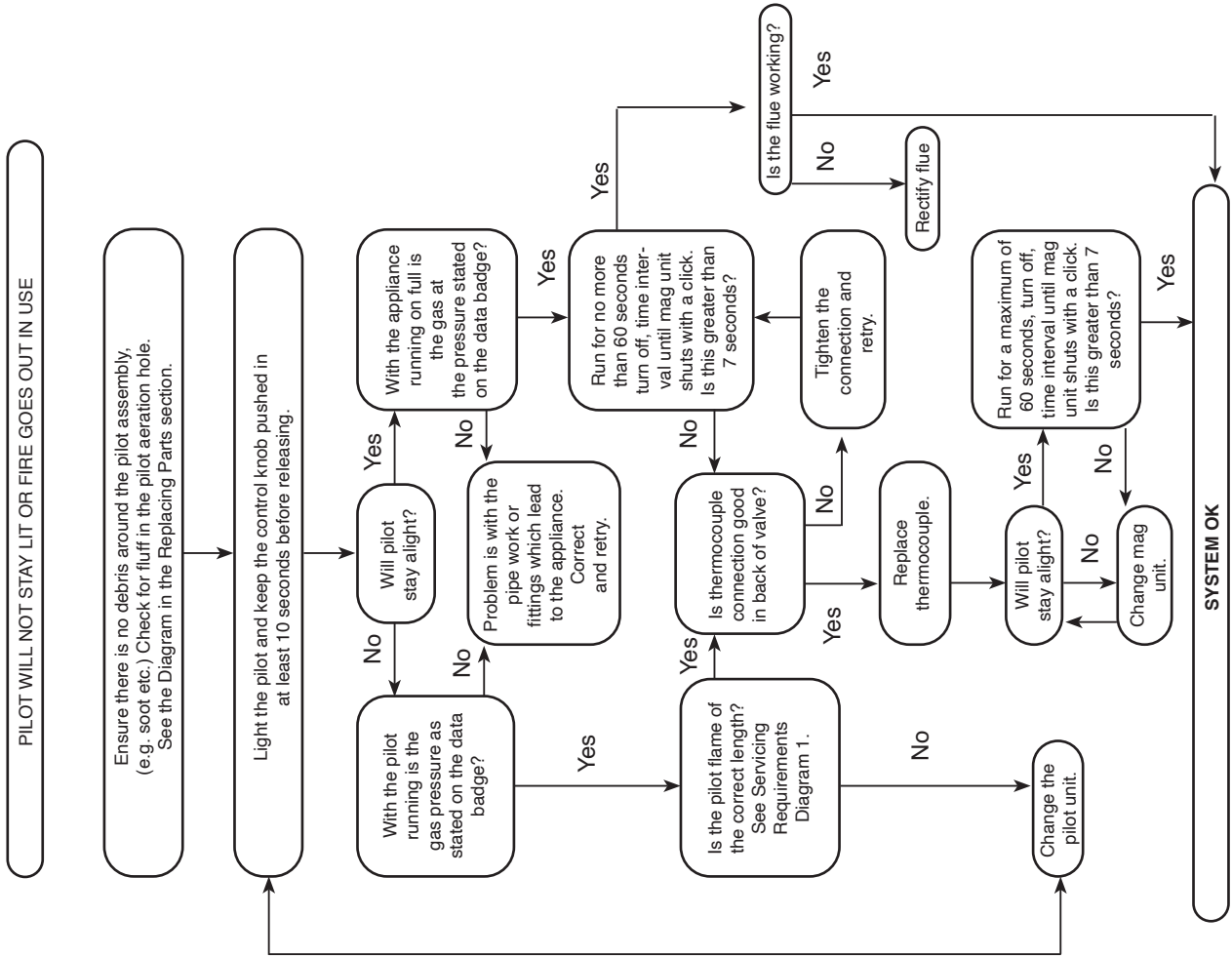
## FAULT FINDING CHARTS

### IGNITION FUNCTIONAL CHECK 1

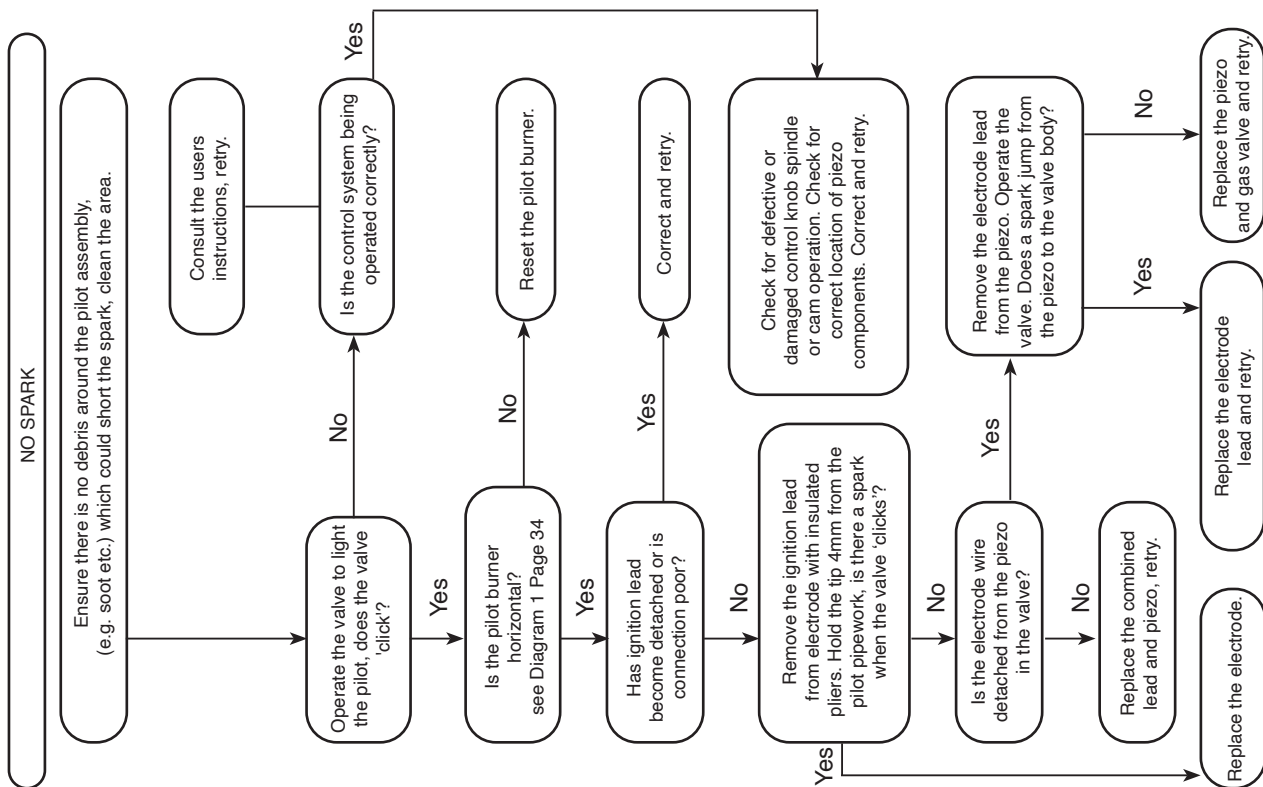


FAULT FINDING CHARTS

FLAME FAILURE FUNCTIONAL CHECK 3



IGNITION FUNCTIONAL CHECK 2



## SERVICING

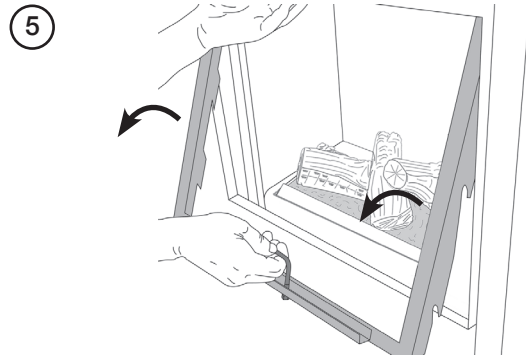
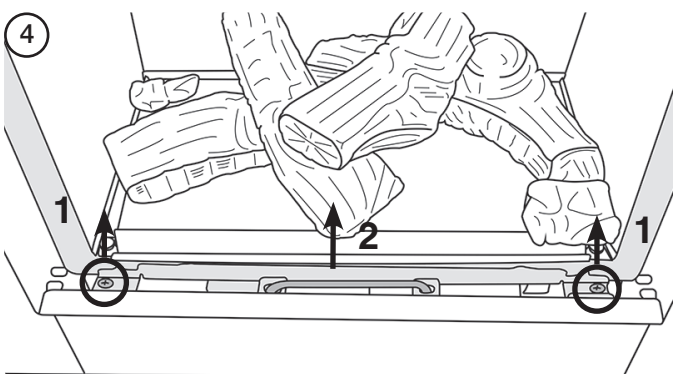
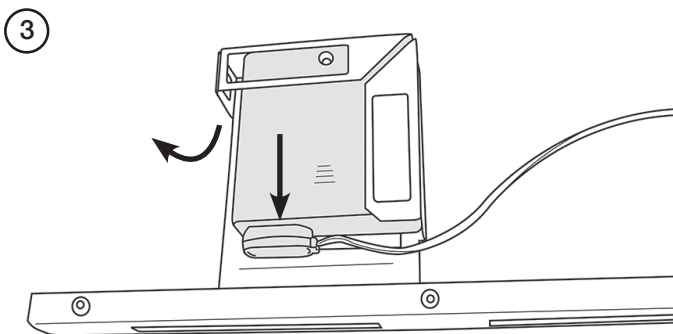
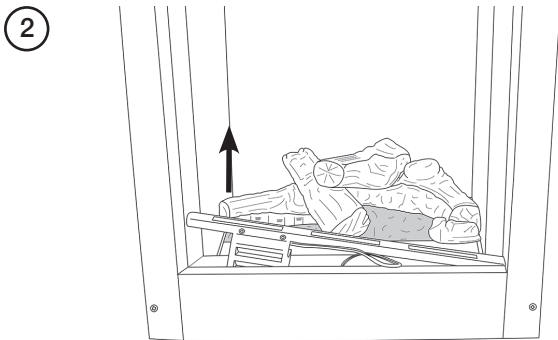
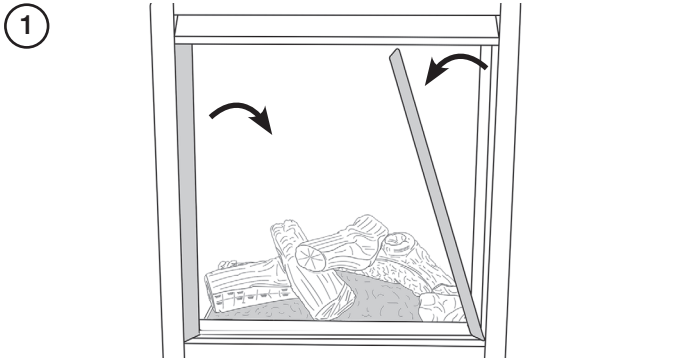
All main components can be replaced without removing the appliance from its installation.

**IT IS ESSENTIAL THAT THE GAS SUPPLY TO THE APPLIANCE IS TURNED OFF AT THE ISOLATION DEVICE BEFORE PROCEEDING FURTHER.**

### Removal of Flue:

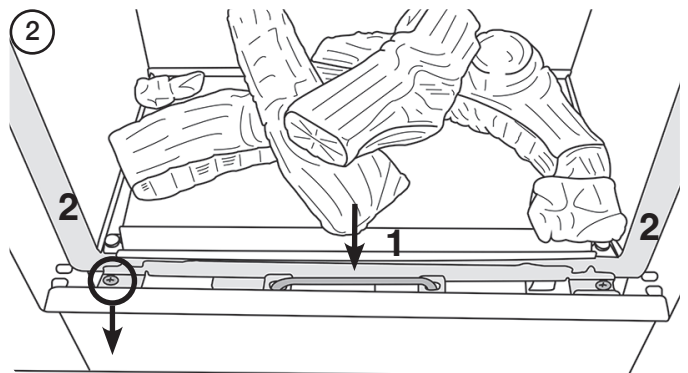
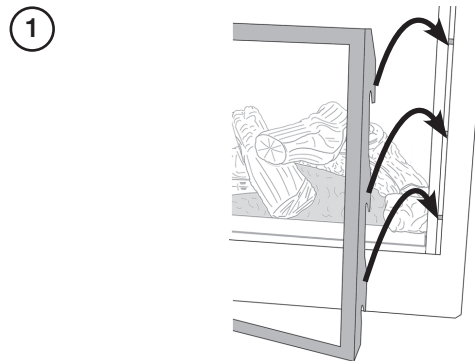
If, for any reason, the flue has to be removed from the appliance, the seal must be replaced in the inner spigot.

### REMOVING THE GLASS FRAME



Remove the logs, and place them on a dry, clean surface.

### REPLACING



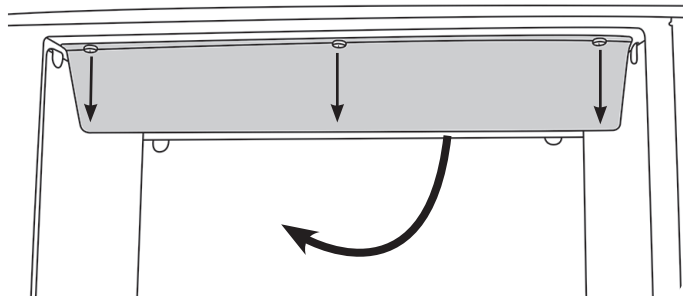
**REPLACE ALL OF THE SECURING SCREWS, ENSURING THAT A SCREW IS PRESENT IN ALL FIXING SLOTS.**

**UNDER NO CIRCUMSTANCES SHOULD THE APPLIANCE BE USED IF ANY OF THE GLASS FRAME RETAINING SCREWS RE LOOSE OR MISSING.**

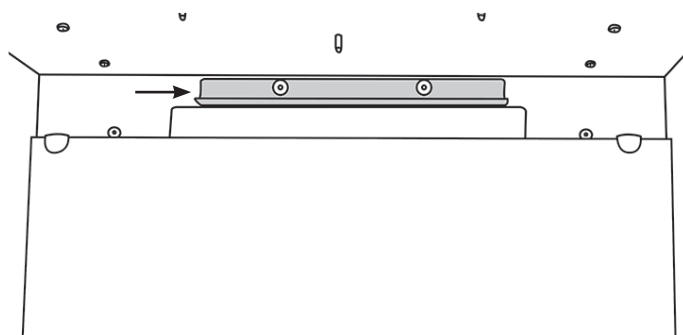
## BAFFLE & LINERS

### BAFFLE

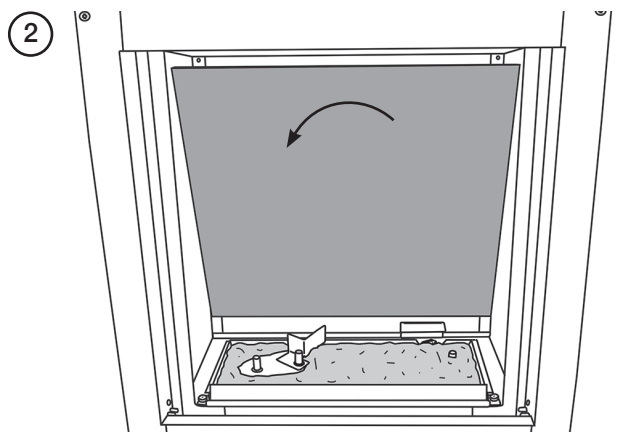
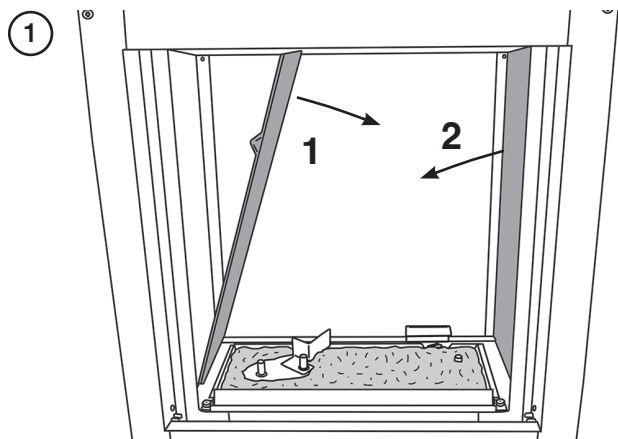
The baffle must be removed before the liners can be taken out of the appliance.



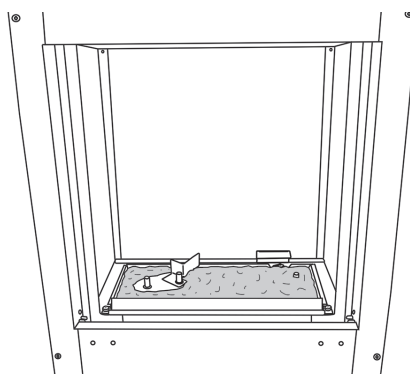
Note: When replacing the baffle ensure that the rear edge locates above the rear lip.



### LINERS



The Fuel bed can now be accessed.

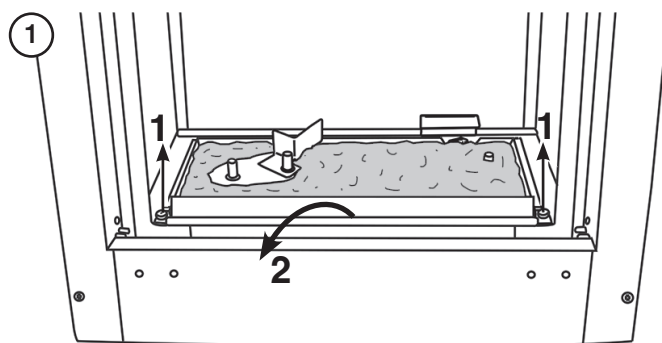


## MAIN BURNER

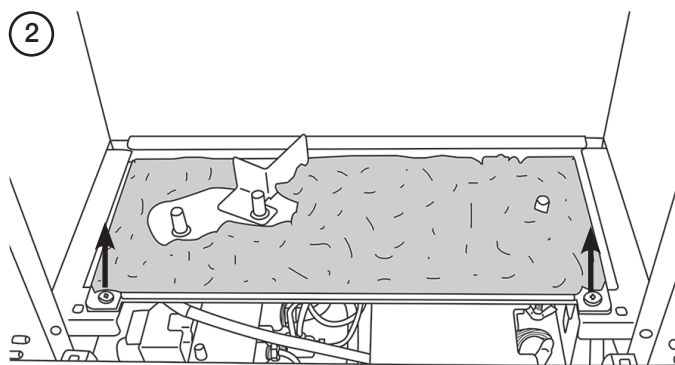
To remove the frame from the appliance please refer to the separate instructions supplied with the frame.

Remove the glass frame.

Remove the baffle and liners.



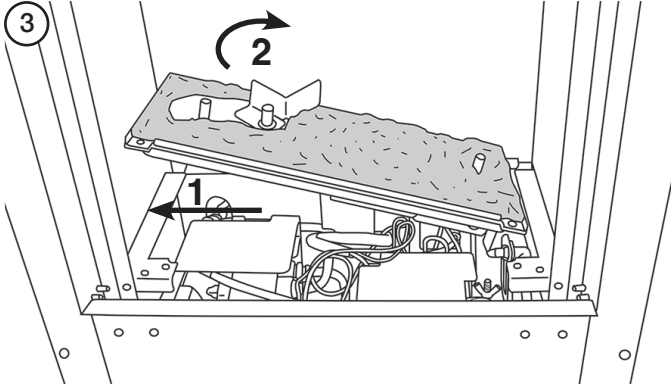
Ensure the lip locates under the burner tray when replacing.



**TAKE CARE NOT TO DAMAGE THE FUELBED WHEN REMOVING THE SCREWS.**



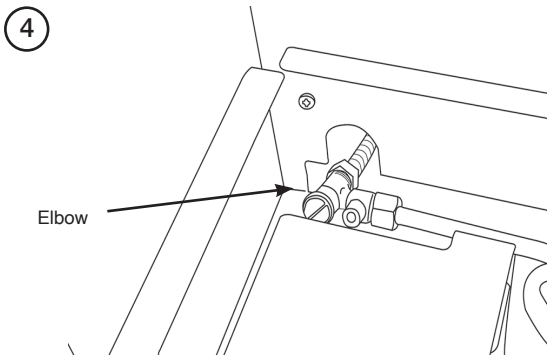
Note: At the same time as removing of the Main Burner the battery supply cable must be carefully disconnected from the control box.



Turn the gas supply off at the isolation device.

**HAVE YOU ISOLATED THE GAS SUPPLY?**

Disconnect the isolating device from the appliance inlet pipe to isolate the gas supply.



The burner unit can now be serviced.

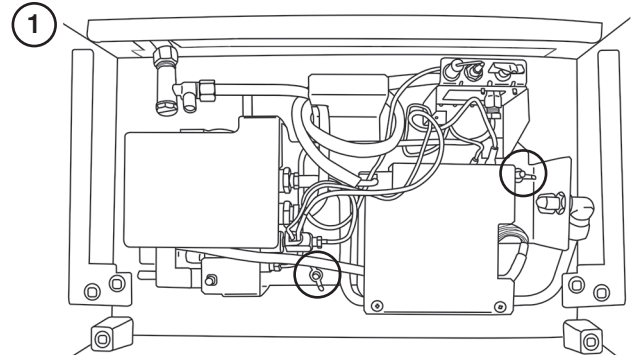


**NOTE: When replacing the Burner Unit ensure the ropeseal on the rear edge is intact. Replace if it is damaged or showing signs of wear.**

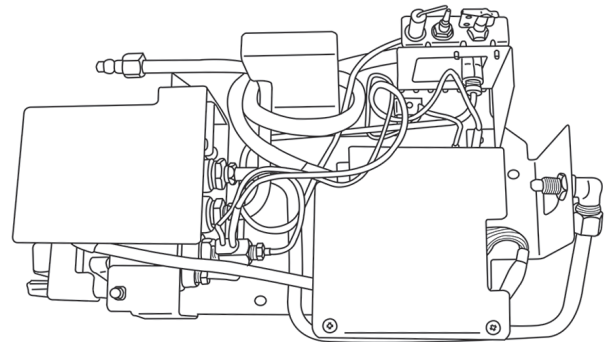
**CONTROL ASSEMBLY**

Remove the main burner.

Remove the 2 wingnuts from the base of the Control Assembly.



Lift and remove the Control Assembly.



The individual components can now serviced.

## PILOT ASSEMBLY

Remove the Main Burner and Control Assembly.



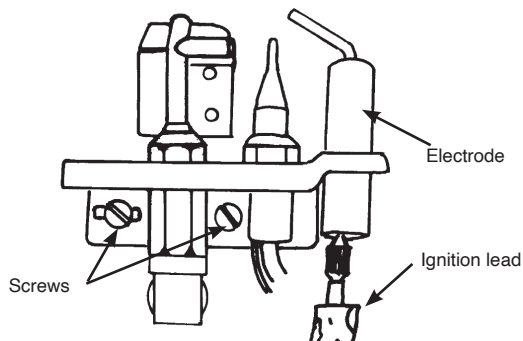
**IMPORTANT: UNDER THE TERMS OF THE EXTENDED WARRANTY IT WILL BE COMPULSORY TO CHANGE THE COMPLETE PILOT UNIT ON THIS APPLIANCE IN YEARS 2, 4 AND 6.**

Undo the 2 screws & compression nut to remove the pilot shield.

Remove the ignition lead from the electrode.

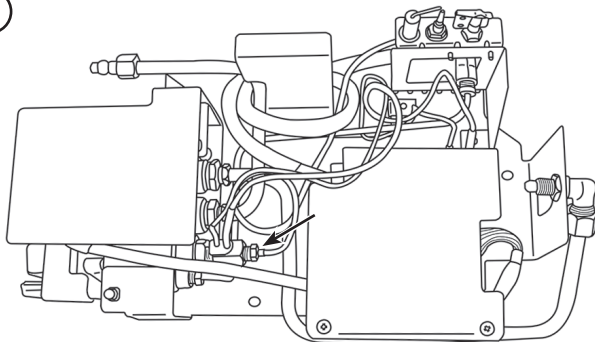
Undo the 2 retaining screws from pilot unit bracket.

1



Undo the thermocouple nut from the interrupter block at the rear of the gas valve.

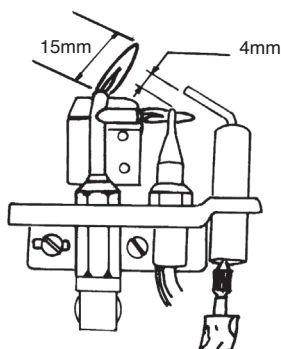
2



When replacing the pilot ensure the thermocouple follows its original route.

Set the spark gap.

3

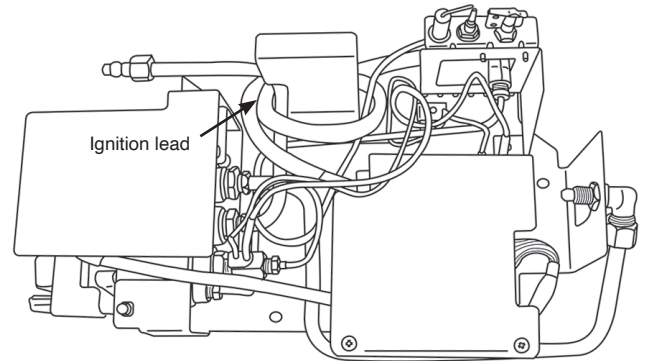


## IGNITION LEAD

Remove the Main Burner and Control Assembly

Undo the 2 screws & compression nut to remove the pilot shield.

Disconnect the ignition lead from the electrode and from the control box.



Replace with a new ignition lead following the original route. Refit the Vidaflex cover over the lead. Ensure the cover engages fully over the electrode.

Check the operation of the new ignition lead.

Replace the pilot shield.

## GAS VALVE

Remove the Main Burner and Control Assembly as described in Servicing, Replacing Parts.

To change the gas valve:

Disconnect the gas inlet pipe, Arrow A.

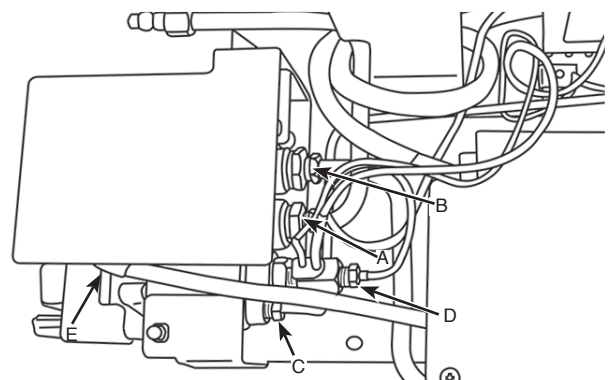
Disconnect the gas outlet pipe, Arrow B.

Disconnect the pilot pipe, Arrow C.

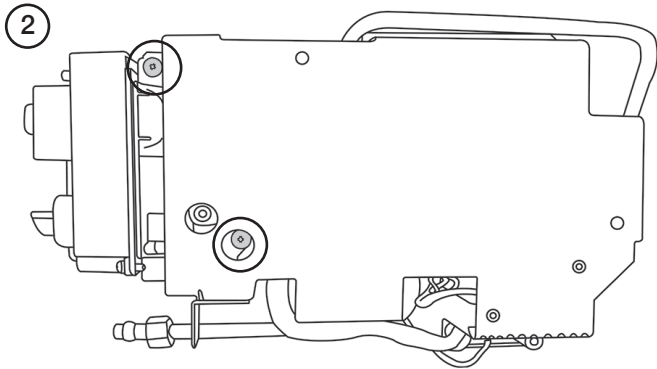
Disconnect the thermocouple, thermocurrent wires and the interrupter block, Arrow D.

Remove the eight wire loom, Arrow E.

1



Remove the 2 screws securing the valve from the underside of the Control Assembly and withdraw the valve.



Replace in reverse order and check for leaks.

## MAGNETIC SAFETY VALVE

Remove the Main Burner and Control Assembly.

Turn the burner over and place on a soft surface so as to not damage the unit.

Undo the thermocouple from the interrupter block and remove the two interrupter leads.

Unscrew the interrupter block from the back of the valve.

Undo the silver magnetic valve retaining nut on the back of the valve.

Gently tap out the mag valve.

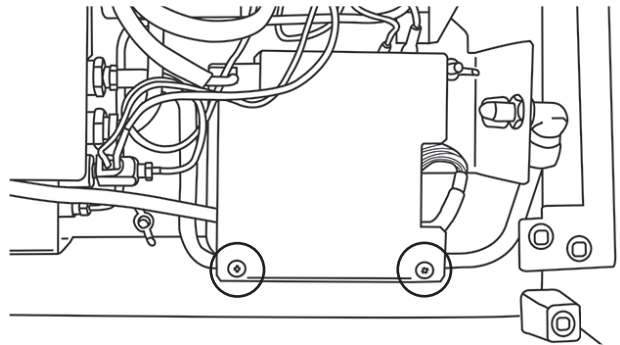
Replace with a new unit.

Reassemble in reverse order ensuring that the interrupter leads are connected correctly with the blue tag lead furthest away from the gas valve body.

Check for leaks.

## CONTROL BOX

Remove the two screws securing the Control Box heat shield and lift away.



Remove the two thermocurrent cables by removing the two screws.

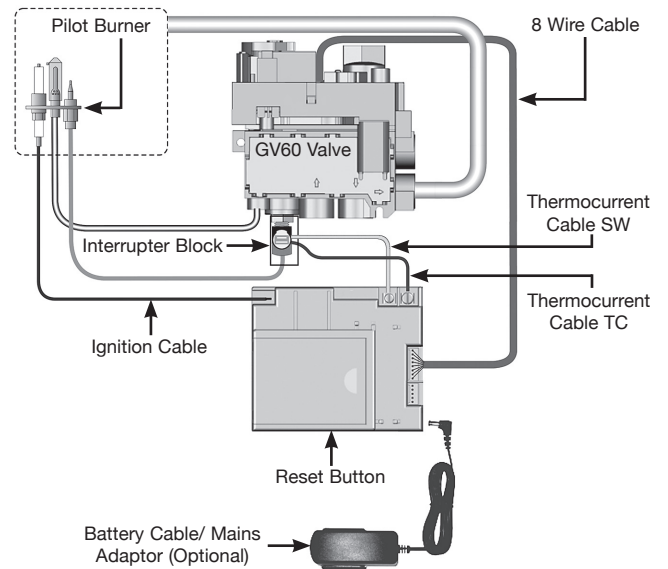
Remove the ignition lead.

Remove the eight wire loom from the control box.

Remove the battery extension cable.

The control box can now be replaced.

When replacing the sealing plate on the rear of the control cover use a suitable silicone sealant.



After replacing the control box you may need to reprogram the handset.

—Press and hold the reset button on the control box until you hear two signals. After the second longer signal:

—Release the reset button and within 20 seconds:

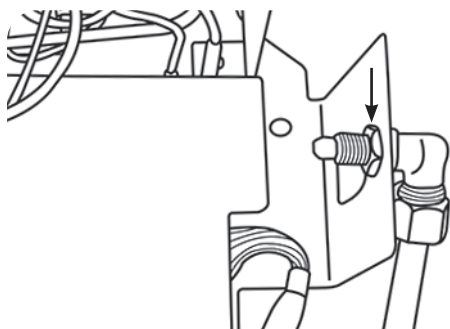
—Press the DOWN button on the handset until you hear two additional short signals confirming the new code is set. If there is a single long signal the code learning sequence has failed or the wiring is incorrect.

## MAIN INJECTOR

Remove the Main Burner.

Loosen and remove the nut from the injector pipe.

Undo the 14mm lock nut that holds the pipe to the injector, .



Replace with the correct size injector.

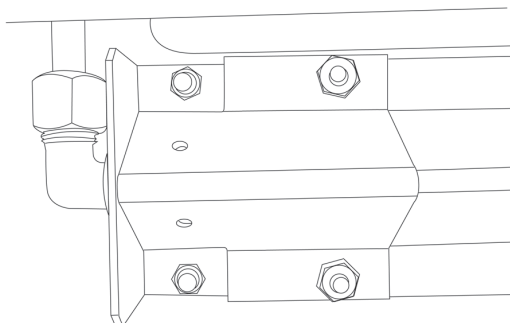
Check for leaks.

## PRIMARY AERATION PLATE

**NOT ALL MODELS HAVE AERATION PLATES. REFER TO TECHNICAL SPECIFICATIONS.**

Remove the Main Burner.

Remove the 2 fixing nuts and slide the plate off the venturi.

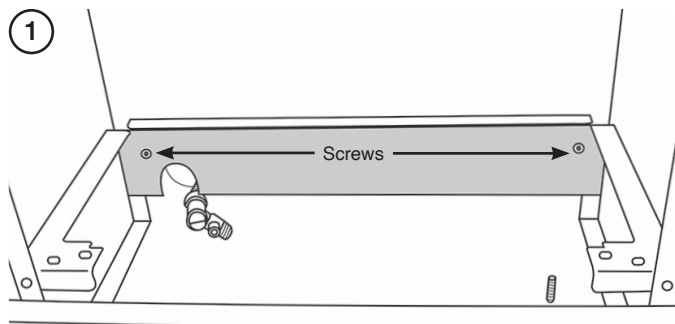


Replace with the correct size plate and secure with the nuts. Ensure the lower edge of the plate is located over the venturi flange.

## DEBRIS ACCESS AREA

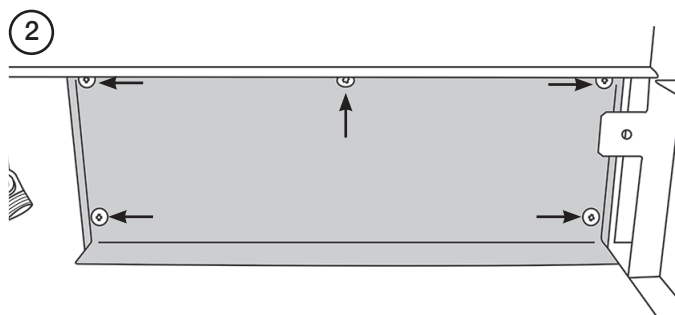
Remove the Control Assembly.

Undo the 2 screws on the back of the convector air panel.



Pull the top of the air panel forwards to release, then tilt the bottom edge upwards into the firebox to remove.

Undo the 5 screws to remove the debris access plate.



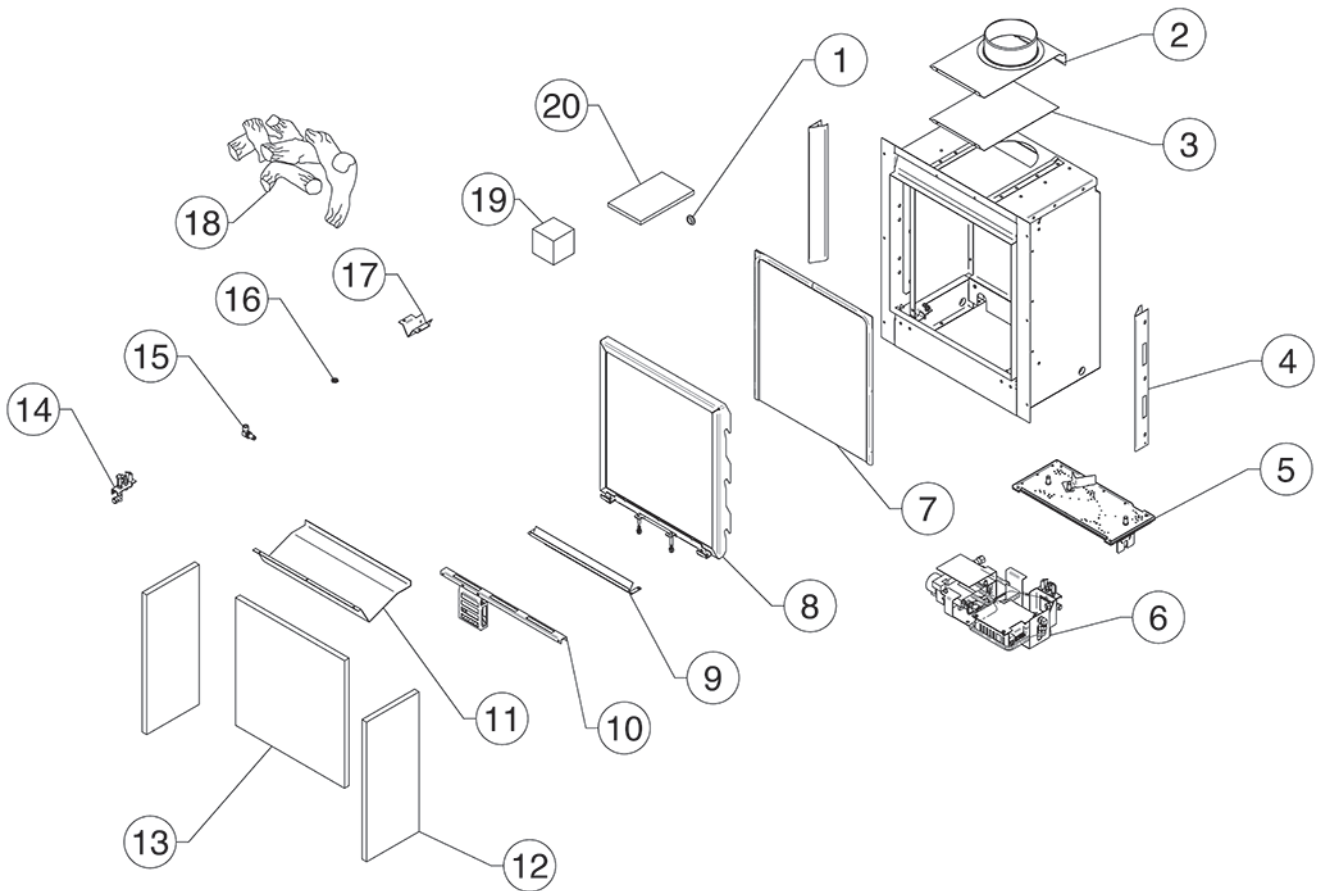
Clean out any debris.

To replace the convector air panel:

Angle the top edge of the panel up and under the lip at the back of the firebox.

Clip the panel into place and secure with the 2 previously removed screws.

## SPARES LIST



NO.	COMPONENT	PART CODE		
		NATURAL GAS	LPG	QUANTITY
1	Grommet	EL0022		4
2	Spigot Mounting Assembly	GZ13931		1
3	Spigot Blanking Plate	GZ14575		1
4	Side Frame Cover	GZ9695		2
5	Burner Assembly	GZ13930	GZ14534	1
6	Engine Assembly	GZ13923P	GZ13923N	1
7	Glass & Ropeseal Assembly	GZ13916		1
8	Door & Glass Assembly	GZ14685		1
9	Pebble Trough Assembly	GZ14488		1
10	Door Infill Trim Assembly	GZ13915		1
11	Top Baffle	GZ13898		1

NO.	COMPONENT	PART CODE		
		NATURAL GAS	LPG	QUANTITY
12	Side Lining Black Reed	CE1860		2
	Side Lining Black Glass	GZ14099		2
13	Rear Lining Black Reed	CE1861		1
	Rear Lining Black Glass	GZ14094		1
14	Pilot Assembly	PI0097	PI0098	1
15	Injector	IN0053	IN0031	1
16	Injector Locknut	FA0241		1
17	Aeration Cover	GZ10405	GZ10409	1
18	Log Set	CE1755		1
19	Embaglow	GZ8471		1
20	Installation Kit	GZ14573		1

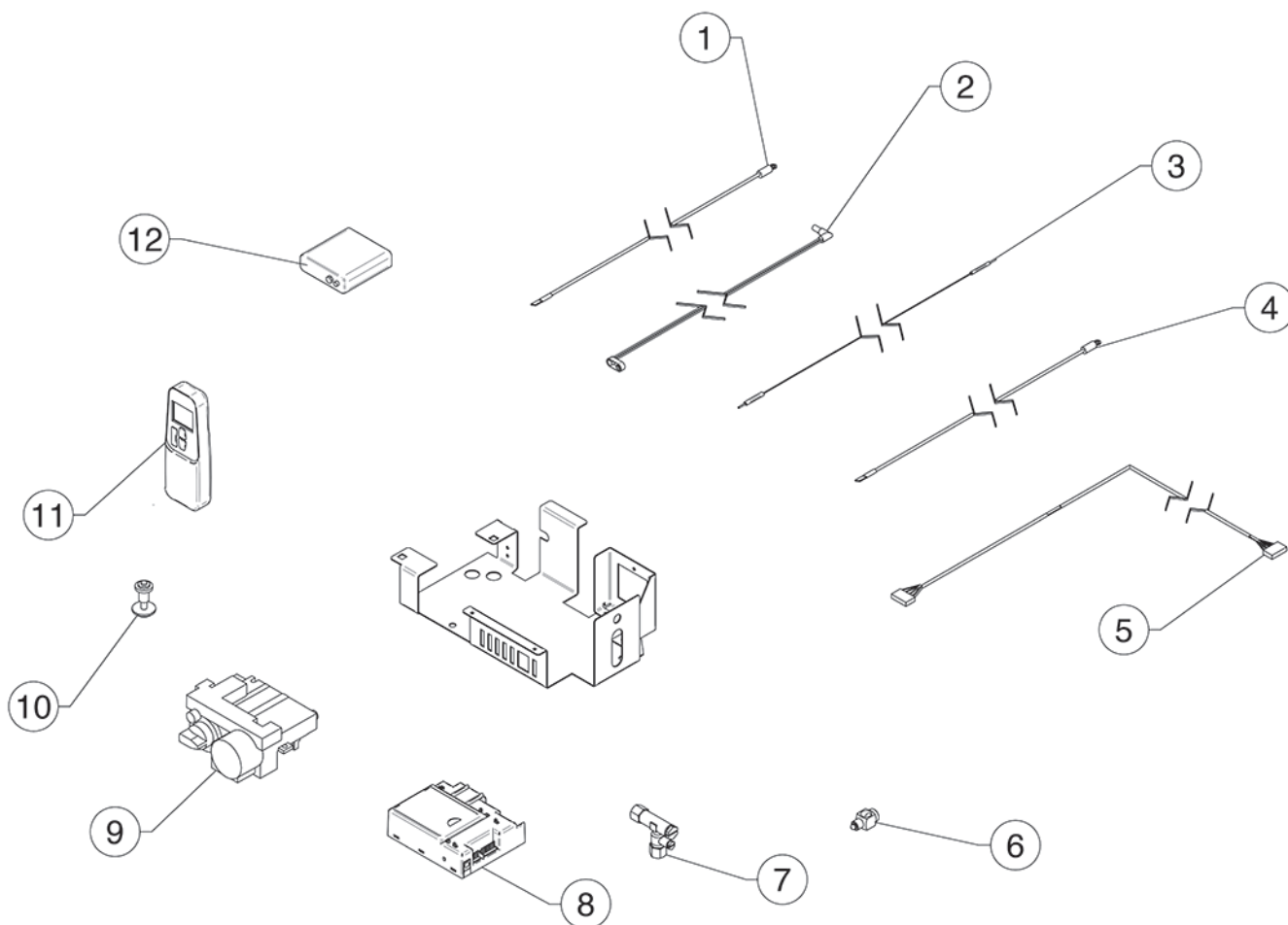


Due to continual technical improvements please check online or with your Gazco retailer for the most up to date parts lists.

Only use Genuine Gazco spares when servicing your appliance.

All of our essential spare parts and consumable items are available to purchase from our webshop at [www.gazcospares.com](http://www.gazcospares.com).

## SPARES LIST



NO.	COMPONENT	PART CODE		
		NATURAL GAS	LPG	QUANTITY
1	Thermo Current Cable	EL0590		1
2	0.5m Battery Cable	GC0146		1
3	Ignition Cable		GC0125	1
4	Thermo Current Cable		GC0126	1
5	360mm Connection Cable		GC0133	1
6	Interrupter Block		GC0124	1
7	Pressure Test Restrictor Elbow		GC0095	1
8	Receiver	EL0589		1
9	Control Valve	GC0123K		1
10	Mag Unit	GC0166		1
11	Thermostatic Handset	EL0571		1
12	Battery Pack	EL0616		1



Due to continual technical improvements please check online or with your Gazco retailer for the most up to date parts lists.

Only use Genuine Gazco spares when servicing your appliance.

All of our essential spare parts and consumable items are available to purchase from our webshop at [www.gazcospares.com](http://www.gazcospares.com).

## (EU) 2024/1103 ECODESIGN REGULATION

Table 1: Information requirements for gaseous fuel local space heaters

	Model Identifier(s):		134-023	134-407	
	Indirect heating functionality:		No	No	
	Direct heat output:		3.8	3.8	kW
	Indirect heat output:		N.A.	N.A.	
	Minimum permissible total flue duct length (vertical + horizontal pipe):		3.0	3.0	
		<b>Symbol</b>			<b>Unit</b>
Fuel	Select fuel type:		Gaseous		
	Nitrogen oxides (NOx) emission		120	120	mg/kWh <sub>input</sub> (GCV)
Heat Output	Nominal Heat Output	$P_{nom}$	3.8	3.8	kW
	Minimum Heat Output (indicative)	$P_{min}$	1.7	1.6	kW
Useful Efficiency (NCV)	Useful Efficiency at nominal heat output	$\eta_{th,nom}$	81.0	81.0	%
	Useful Efficiency at minimum heat output (indicative)	$\eta_{th,min}$	71.0	71.0	%
	Seasonal space heating energy efficiency	$\eta_s$	70.9	70.9	%
Auxiliary Electricity Consumption	At Nominal Heat Output	$e_{lmax}$	0.0	0.0	kW
	At Minimum Heat Output	$e_{lmin}$	0.0	0.0	kW
Power consumption	In off mode	$P_0$	0.00	0.00	kW
	In standby mode	$P_{sm}$	0.00	0.00	kW
	In idle mode	$P_{idle}$	0.00	0.00	kW
	In networked standby mode	$P_{nsm}$	0.00	0.00	kW
	Standby mode with display of information or status		No	No	
<b>Permanent Pilot Flame Power consumption (if applicable)</b>		$P_{pilot}$	N.A.	N.A.	kW
<b>Type of heat output/room temperature control (select one)</b>			TD	TD	
Key: NC: single stage heat output, no room temperature control TX: two or more manual stages, no temperature control TM: with mechanic thermostat room temperature control			TE: with electronic room temperature control TD: with electronic room temperature control plus day timer TW: with electronic room temperature control plus week timer		
<b>Other control options (multiple selections possible)</b>					
Room temperature control, with presence detection				No	
Room temperature control, with open window detection				No	
With distance control option				No	
With adaptive start control				No	
With working time limitation				No	
With black bulb sensor				No	

## REGULATION (EU) 2015/1186 ENERGY LABELLING – LOCAL SPACE HEATERS PRODUCT FICHE

(a) supplier's name or trademark:	Stovax Gazco Ltd.	
	Riva2 400 CF NG	Riva2 400 CF LPG
(b) supplier's model identifier:	134-023	134-407
(c) the energy efficiency class of the model:	C	C
(d) the direct heat output in kW:	3.8	3.8
(e) the indirect heat output in kW:	N.A.	N.A.
(f) the energy efficiency index:	77%	77%
(g) the useful energy efficiency at: nominal heat output: and at minimum load:	81.0% 71.0%	81.0% 71.0%
(h) any specific precautions that shall be taken when the local space heater is assembled, installed or maintained	None	None

## PRODUCT MATERIAL INFORMATION

The following substances, preparations or components should be disposed of or recovered separately from other WEEE in compliance with Article 4 of EU Council Directive 75/442/EEC.

<b>Metal</b>	Steel	Can be taken to a local recycling centre for reuse to reduce waste going to landfill.
	Cast iron	
<b>Glass</b>		Can be taken to a local recycling centre for reuse to reduce waste going to landfill.
<b>Rope seals Black Reed Liners</b>		These items are made from Refractory Ceramic Fibre (RCF), a material which is commonly used for this application. Protective clothing is not required when handling these articles, but it is recommended to follow normal hygiene rules of not smoking, eating or drinking in the work area and always wash hands before eating or drinking. When servicing the appliance it is recommended that the replaced items are not broken up, but are sealed within heavy duty polythene bags and labelled as RCF waste. RCF waste is classed as stable, non-reactive hazardous waste and may be disposed of at a licensed landfill site.
<b>Log Fuel Effects</b>		Log Fuel effects are not considered hazardous to health, but are non-recyclable and must be disposed of in accordance to the rules in force.
<b>Electrical components</b>	(Fan kits, etc. if applicable)	Dispose of at a local recycling centre in accordance with the WEEE directive.

## SERVICE RECORDS

### 1ST SERVICE

Date of Service:.....

Next Service Due:.....

Signed:.....

Retailer's Stamp/GasSafe Registration Number

### 3RD SERVICE

Date of Service:.....

Next Service Due:.....

Signed:.....

Retailer's Stamp/GasSafe Registration Number

### 5TH SERVICE

Date of Service:.....

Next Service Due:.....

Signed:.....

Retailer's Stamp/GasSafe Registration Number

### 7TH SERVICE

Date of Service:.....

Next Service Due:.....

Signed:.....

Retailer's Stamp/GasSafe Registration Number

### 9TH SERVICE

Date of Service:.....

Next Service Due:.....

Signed:.....

Retailer's Stamp/GasSafe Registration Number

### 2ND SERVICE

Date of Service:.....

Next Service Due:.....

Signed:.....

Retailer's Stamp/GasSafe Registration Number

### 4TH SERVICE

Date of Service:.....

Next Service Due:.....

Signed:.....

Retailer's Stamp/GasSafe Registration Number

### 6TH SERVICE

Date of Service:.....

Next Service Due:.....

Signed:.....

Retailer's Stamp/GasSafe Registration Number

### 8TH SERVICE

Date of Service:.....

Next Service Due:.....

Signed:.....

Retailer's Stamp/GasSafe Registration Number

### 10TH SERVICE

Date of Service:.....

Next Service Due:.....

Signed:.....

Retailer's Stamp/GasSafe Registration Number



**FOR ENQUIRIES IN THE U.K (EXCLUDING NI):**

**Stovax Gazco Limited, Spitfire Avenue, Skypark, Clyst Honiton, Exeter, Devon,  
England EX5 2FR Tel: (01392) 261900 E-mail: info@gazco.com**

**FOR ENQUIRIES IN EUROPE (INCLUDING NI):**

**Stovax Heating Group (NI) Ltd (Comp reg NI675194), 40 Linenhall Street, Belfast, BT2  
8BA DX 400 NR Belfast Tel: +44 (0)1392 261990 E-mail: northernireland@gazco.com**

E & O E

